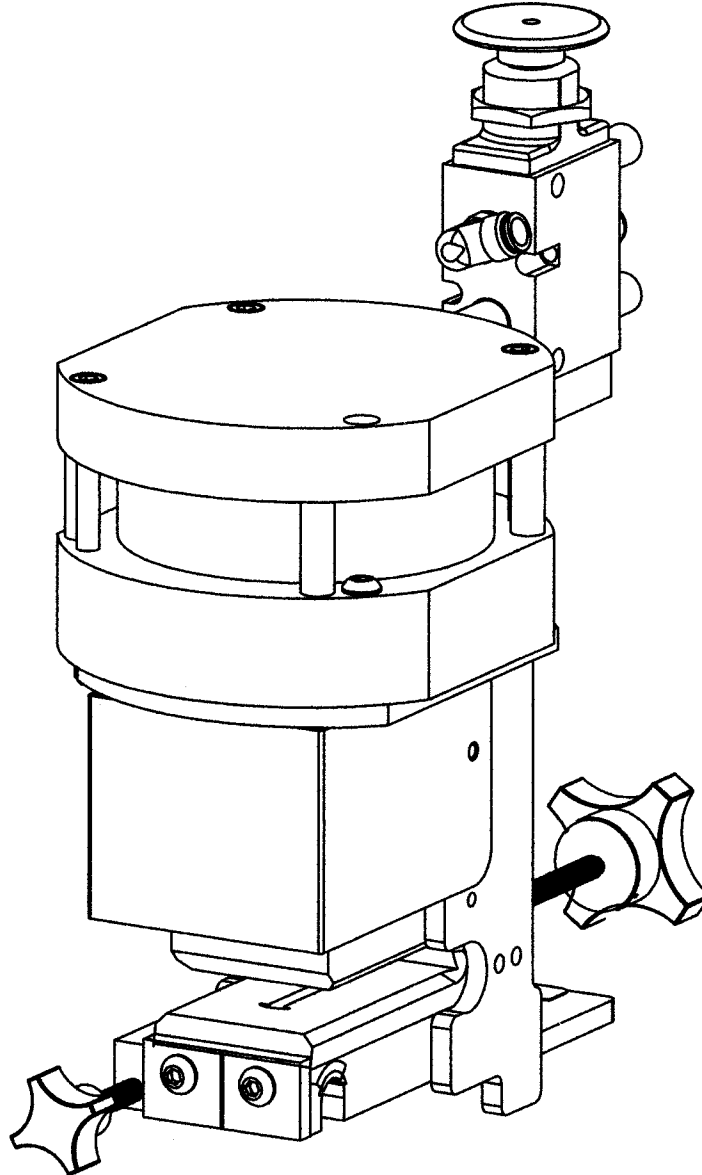
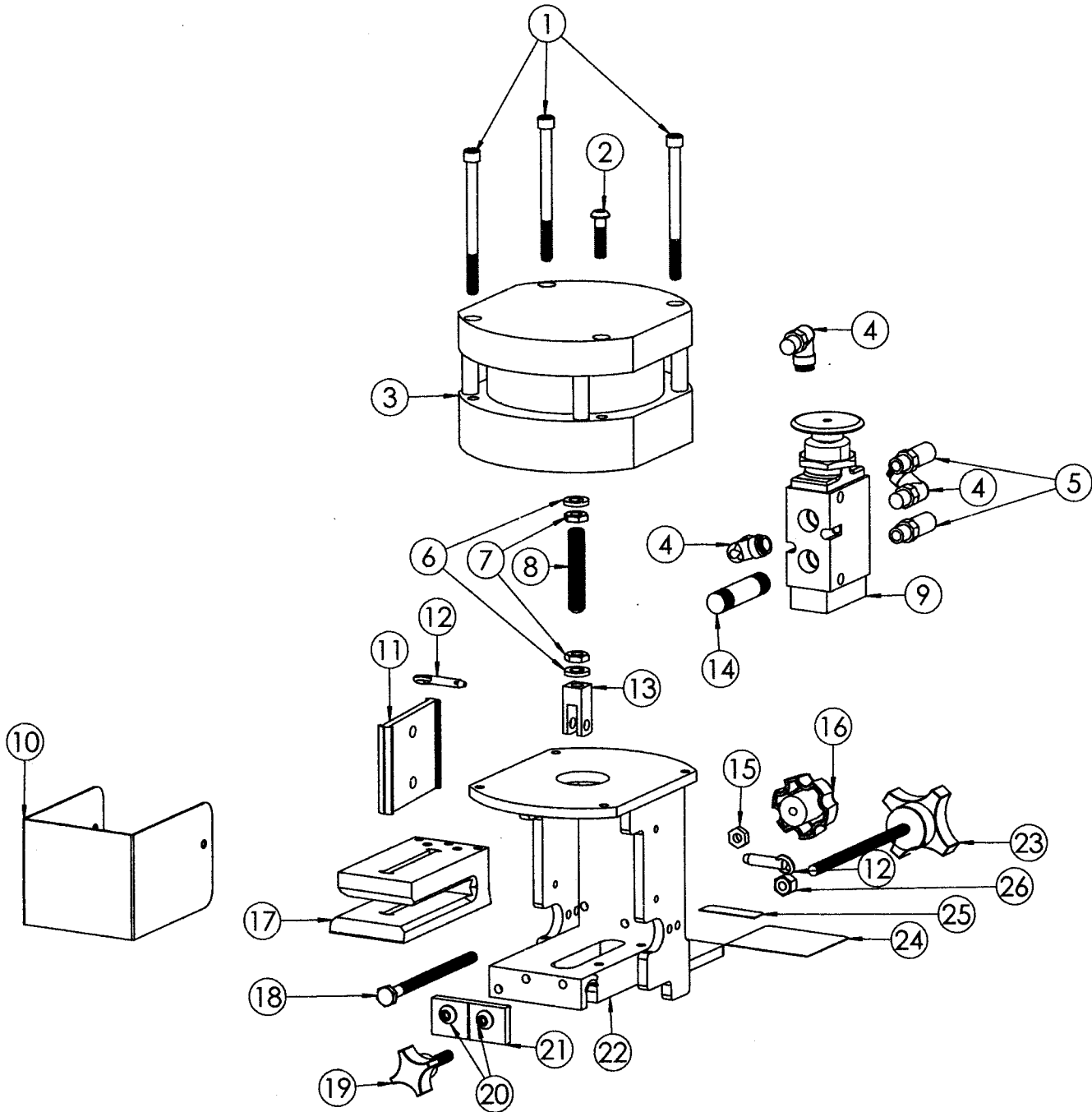


SLAT CUT STATION

PARTS BOOK







INTERNATIONAL INC.

PARTS PUNCH STATION

Item #	Part #	Part Description
1	252032SH	1/4-20 x3 1/4" socket head bolt
2	252062BH	1/4-20 x5/8" button head bolt
3	MB4075F	Punch Cylinder
4	MWF6	1/4" npt to 3/8" 90 degree fitting
5	MWS301	Muffler
6	310000LW	5/16" lock washer
7	312400NT	5/16-24 nut
8	312420SS	5/16-24 x 2" set screw
9	MHRMAC01	palm button
10	MCWC6	Station cover
11	A2FC	Punch
12	190005PP	Push Pin 3/16 x .5
13	MCC2	Punch clevis
14	MWX1	2" nipple
15	252000NT	1/4-20 nut
16	MCCO	Slate adjustment knob
17	B2FC	Die
18	252040HHH	1/4-20 x 4" hex head bolt
19	MCCT	Station lock knob
20	252005BH	1/4-20 x 1/2" button head bolt
21	MCCP	Front plate for rout station
22	PSW	Wood Base Station
23	MCCQ01	Die lock knob
24	2" UHMW	2" uhmw tape
25	1/2" UHMW	1/2" uhmw
26	252800NT	1/4-28 NUT