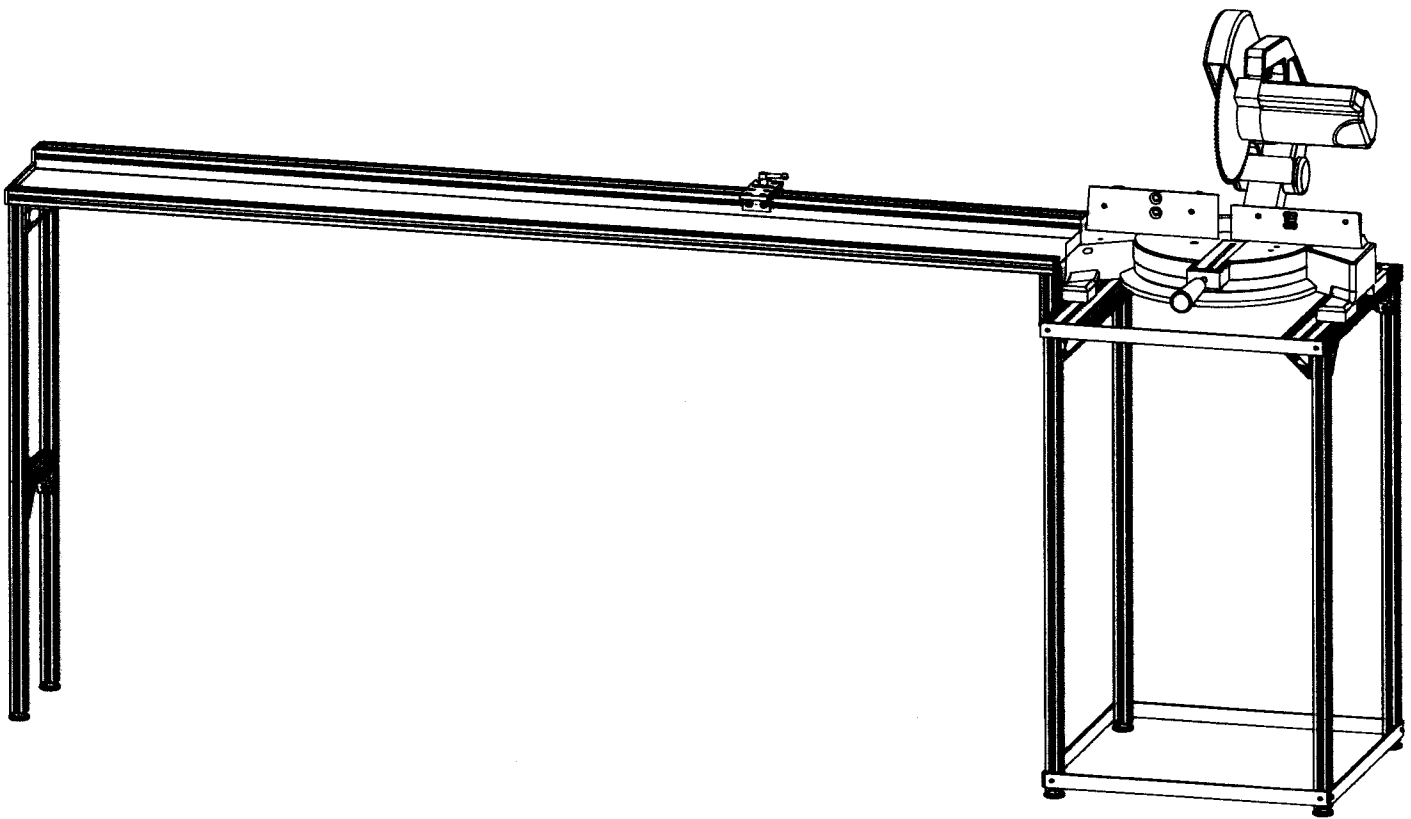
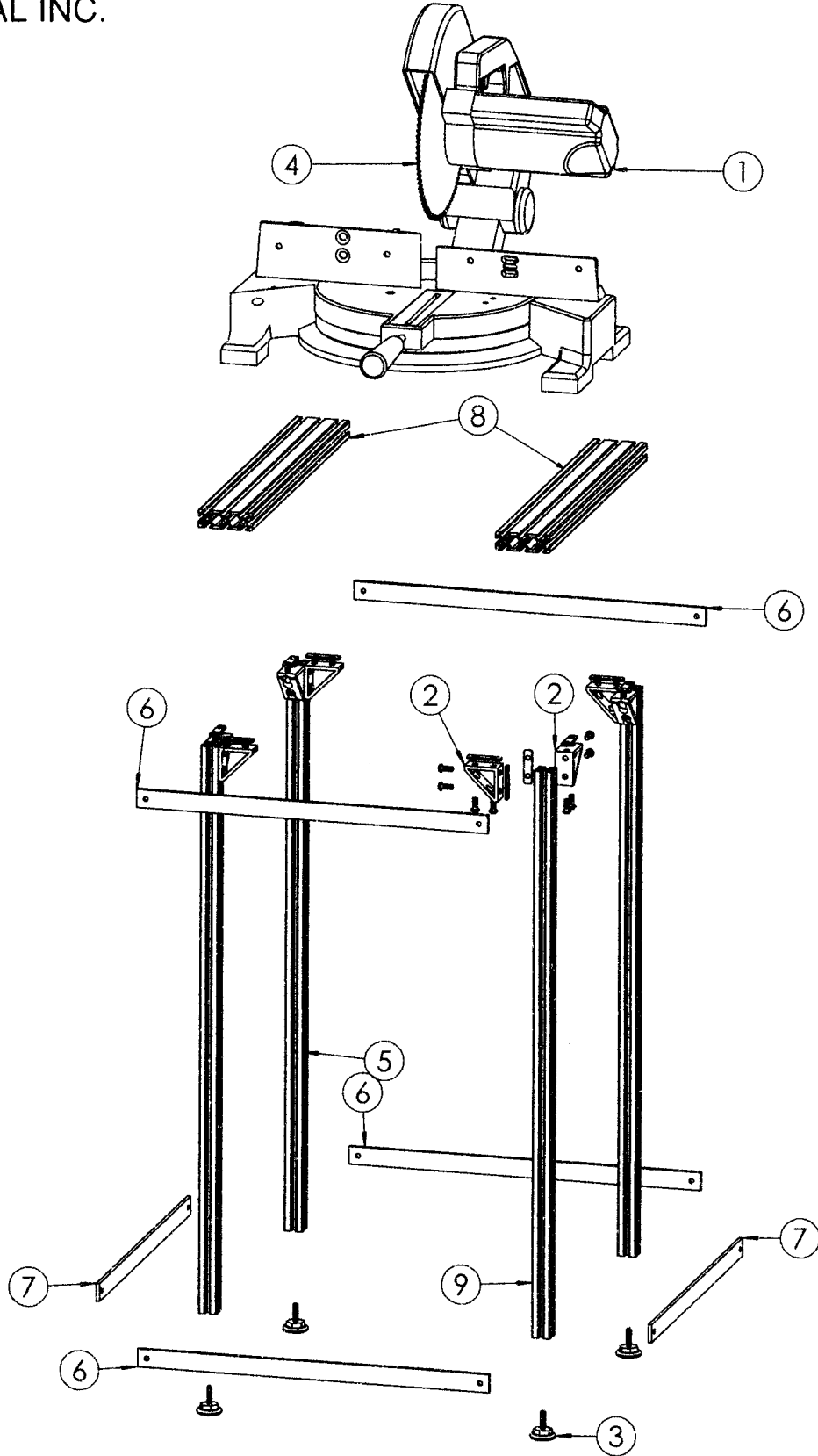


TCSAW SAW

PARTS BOOK





B1

REV. 6-26-07

SW/BOOK/TCHOPSAW/TCHOPSAWASSY 6-26-07

1115 Explorer St.
Duncanville, TX 75137-3011

Phone (972) 709-7673
Phone (800) 533-3371

Fax (972) 709-7674
Fax (800) 985-1020

E Mail (davidw@ltl-int.com)

Web Site(www.ltl-int.com)



INTERNATIONAL INC.

PARTS

Item No.	Quantity	Part Number	Description
1	1	makita	10" malita chop saw
2	8	4136	corner brace
3	4	2203	feet
4	1	10" blade	10" saw blade
5	4	1010x31.45	31 1/2" 1" x 1" alum.
6	4	tchopsawfbbrace	1" front and back brace
7	2	tchopsawsidebrace	1" side brace
8	2	1030x20	1"x3"x20" alum.

B1

REV. 6-27-07

E/XL/PARTS BOOK/tchopsaw/tchopsaw saw material list page 1

1115 Explorer St.
Duncanville, TX 75137-3011

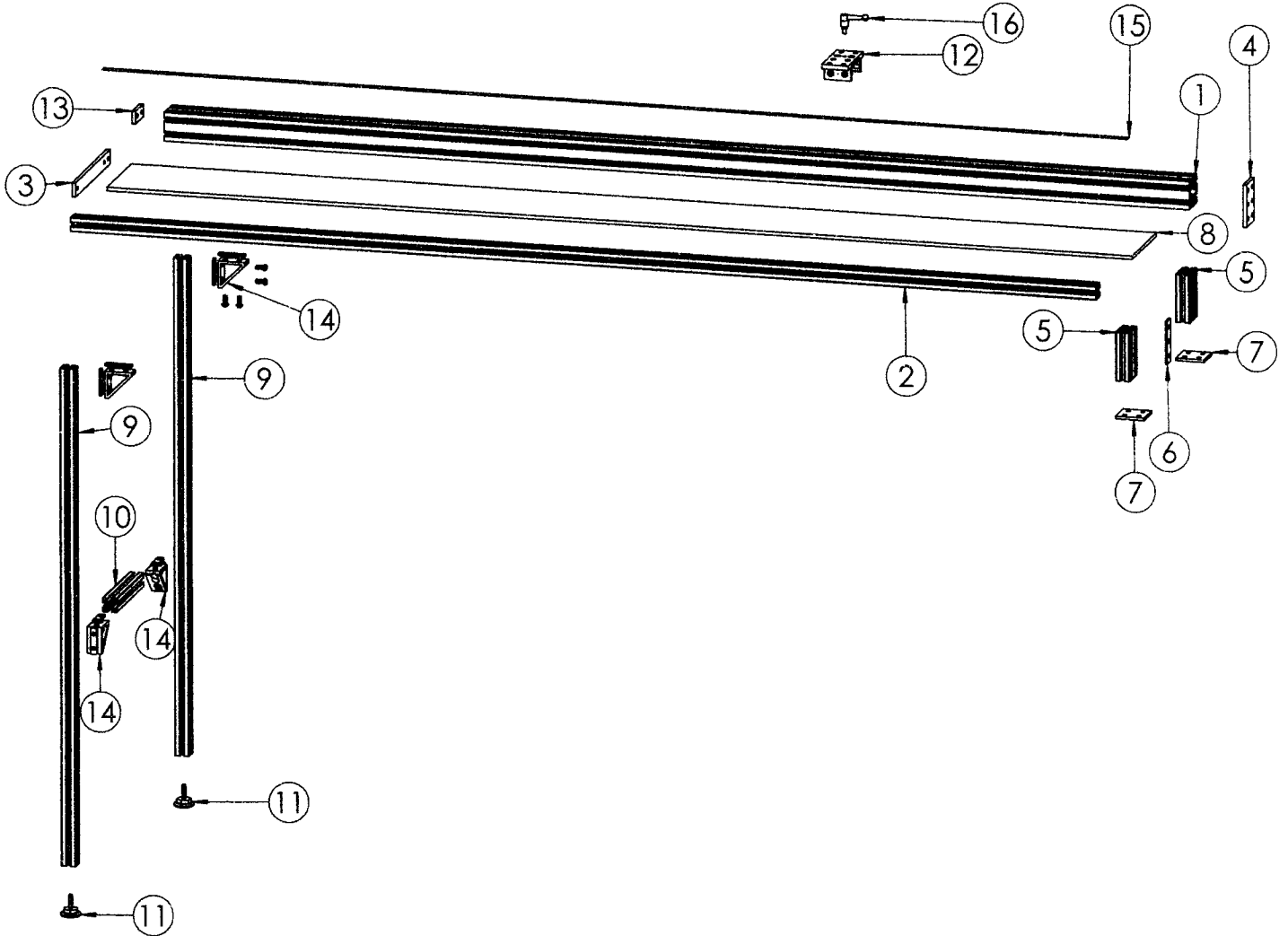
Phone (972) 709-7673
Phone (800) 533-3371

Fax (972) 709-7674
Fax (800) 985-1020

E Mail (davidw@ltl-int.com)

Web Site(www.ltl-int.com)

PARTS



B2

Item No.	Quantity	Part Number	Description
1	1	2020X72IN	2X2X72" ALUM.
2	1	1010X72	1X1X72" ALUM.
3	1	TCHOPSAWTABLEENDBRACE	ALUM. END BRACE
4	1	4166	6 HOLE ALUM. STRAP
5	2	1020X3.375	1X2X3 3/8" ALUM.
6	1	4118	ALUM. 3 HOLE STRAP
7	2	4167	ALUM. 4 HOLE STRAP
8	1	TCHOPSAWTBOARD	1/4" HARD BOARD
9	2	1010X35	1X1X35" ALUM.
10	1	1010X7	1X1X7" ALUM.
11	2	2203	FEET
12	1	6723MODTCHOPSAW	ALUM. SLIDE
13	1	TCHOPSAW2HOLESTRAP	1/4" 2 HOLE STRAP ALUM.
14	4	4136	CORNER BRACE
15	1	TAPEMEASURE72	RIGHT TO LEFT TAPE MEASURE
16	1	MCCD	LOCK KNOB

B2