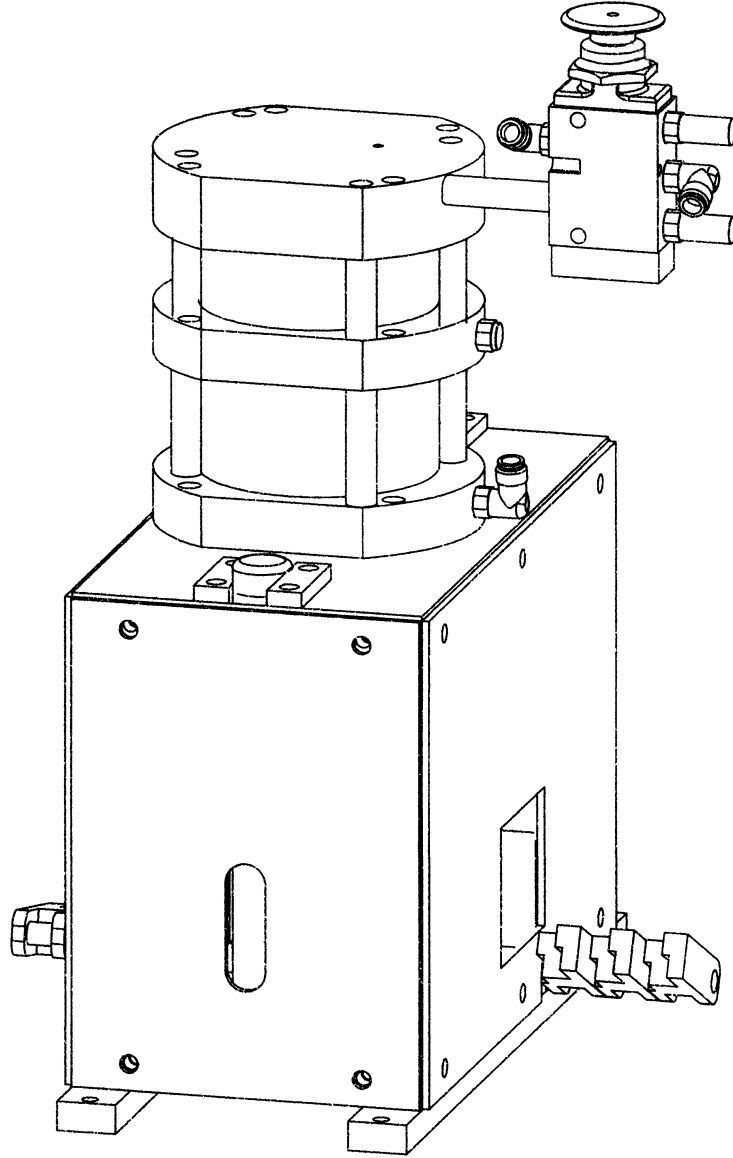


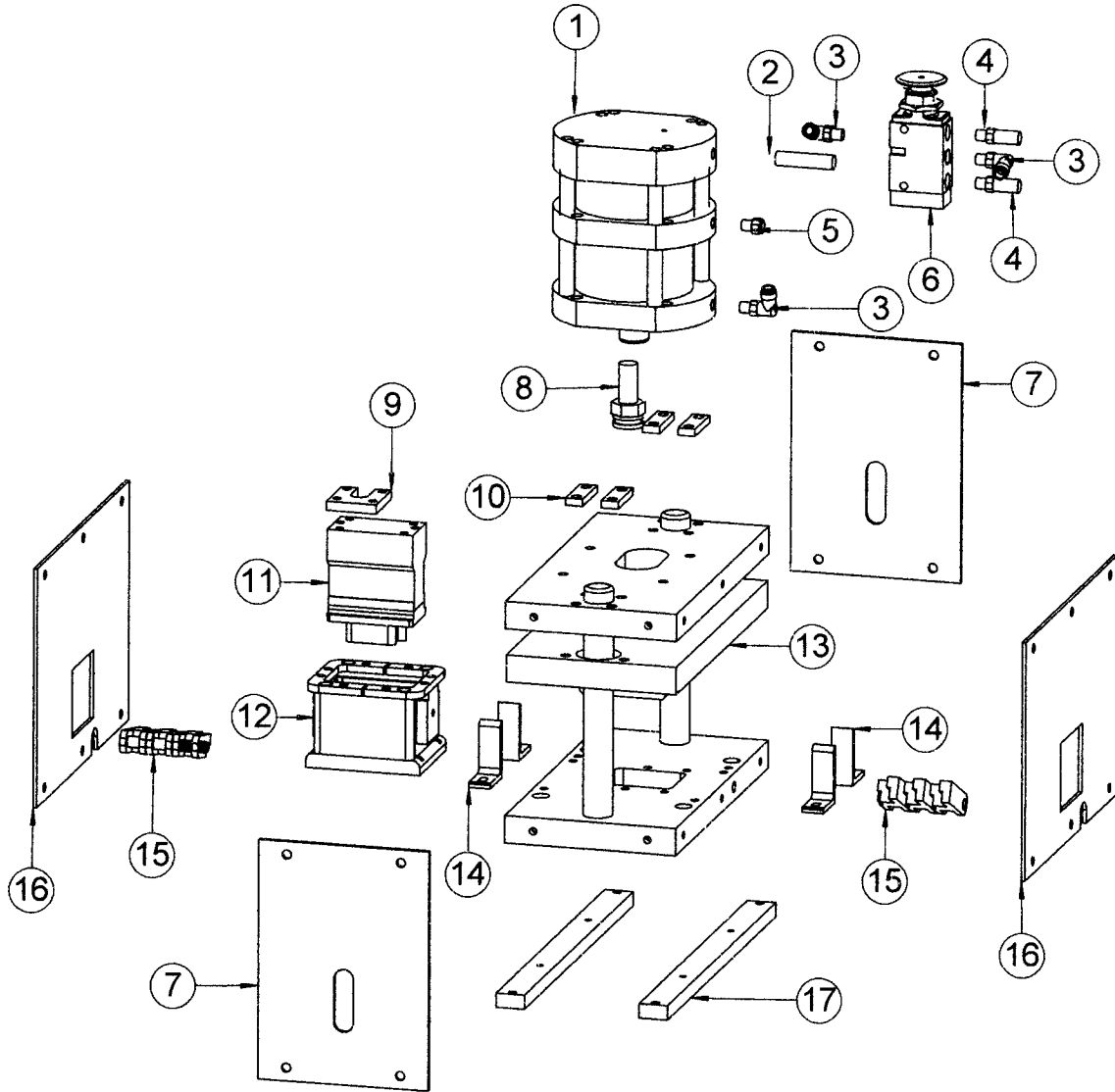


INTERNATIONAL INC.

# ROLLESE BUTTERFLY DIE PARTS BOOK



# ROLL-EASE ROUT PUNCH





INTERNATIONAL INC.

## Roll-Ease Rout Punch

| ITEM. | QTY. | PART NO.        | DESCRIPTION                        |
|-------|------|-----------------|------------------------------------|
| 1     | 1    | MB401DE         | 4" Bore 1" Stroke cylinder         |
| 2     | 1    | MWX1-GAL        | 1/4" npt x 2" Galvanized nipple    |
| 3     | 3    | MWF6            | 1/4" npt x 3/8" swivel             |
| 4     | 2    | MWS301          | 1/4" npt high flow muffler         |
| 5     | 1    | MWS3            | 1/4" npt standard muffler          |
| 6     | 1    | MHRMAC01        | Air valve                          |
| 7     | 2    | SRD05-000-007   | Front/Back station cover           |
| 8     | 1    | HRTLS-000-012   | Air cylinder coupling              |
| 9     | 1    | HRTLS-000-014   | Air cylinder coupling bracket      |
| 10    | 4    | HRBLOCKCAP      | Post retainers                     |
| 11    | 1    | HRTLS05-000-031 | Punch                              |
| 12    | 1    | SRD05-000-004   | Die                                |
| 13    | 1    | SRD05-000-002   | Bare station                       |
| 14    | 2    | HRGUIDE         | Centering guide for steel headrail |
| 15    | 1    | HRTLS05-000-023 | End rout bumps                     |
| 16    | 2    | SRD05-000-006   | Side cover                         |
| 17    | 2    | HRROLLEASEBASE  | Aluminum mounting foot             |