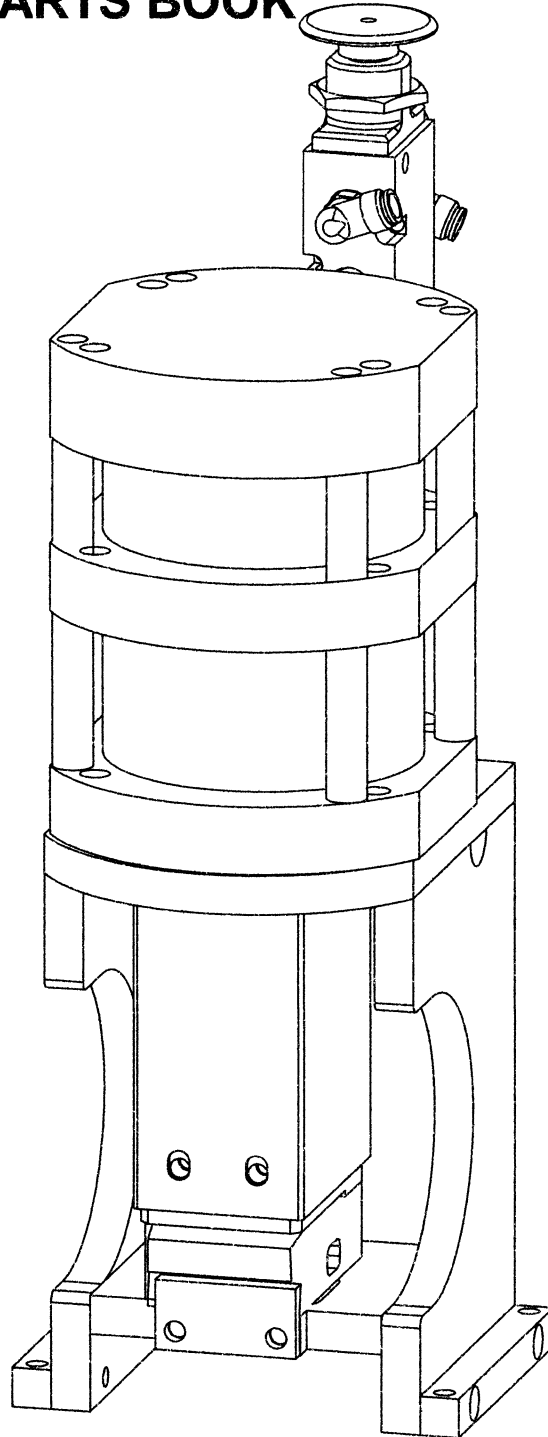
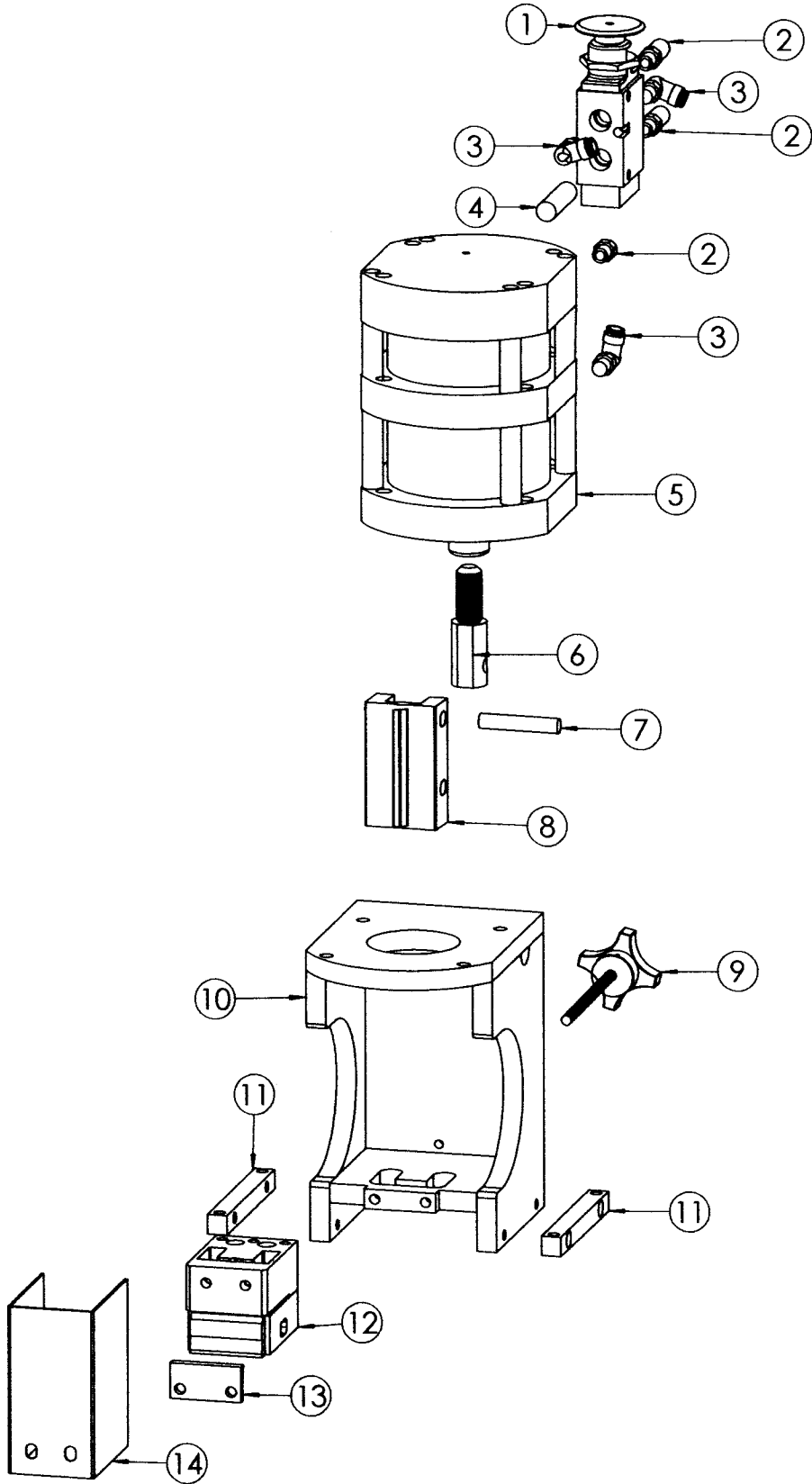


ROLL EASE BRACKET PUNCH STATION

PARTS BOOK





Roll-Ease Bracket Punch

ITEM.	QTY.	PART NO.	DESCRIPTION
1	1	MHRMAC01	Spring return air valve
2	3	MWS301	1/4" npt Muffler
3	3	MWF6	1/4" npt 3/8" Air fitting
4	1	MWX1-GAL	1/4" npt x 2" pipe nipple
5	1	MB401DE	4" bore x 1" stroke Double air cylinder
6	1	ECD06-000-004	Air cylinder coupling
7	1	380020EP	E-clip pin
8	1	R2BP	Punch
9	1	MCCQ01	Die lock knob
10	1	ECD06-000-000	Punch station
11	2	ECD06-000-010	Mounting bars
12	1	R2BD	Die
13	1	ECD06-000-011	Front plate
14	1	ECD06-000-012	Cover