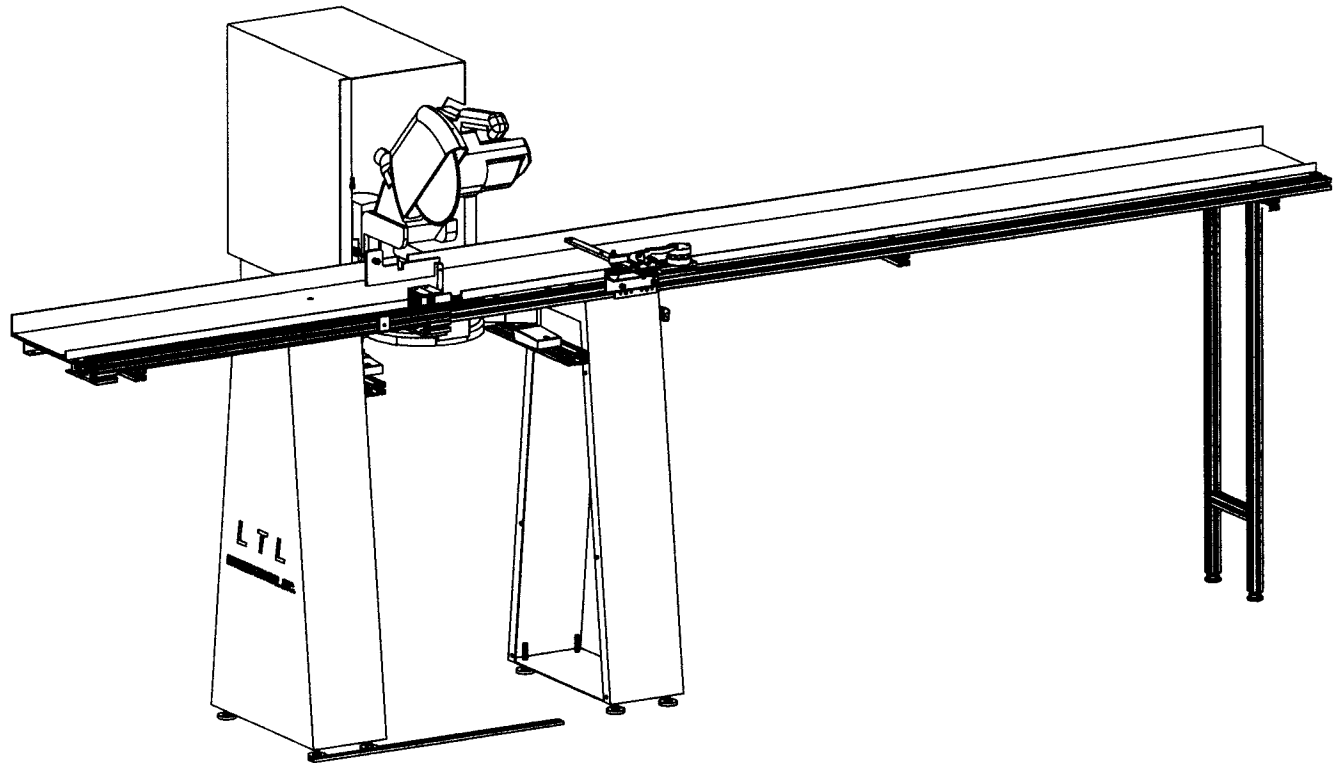




INTERNATIONAL INC.

# SLIDING MITER SAW



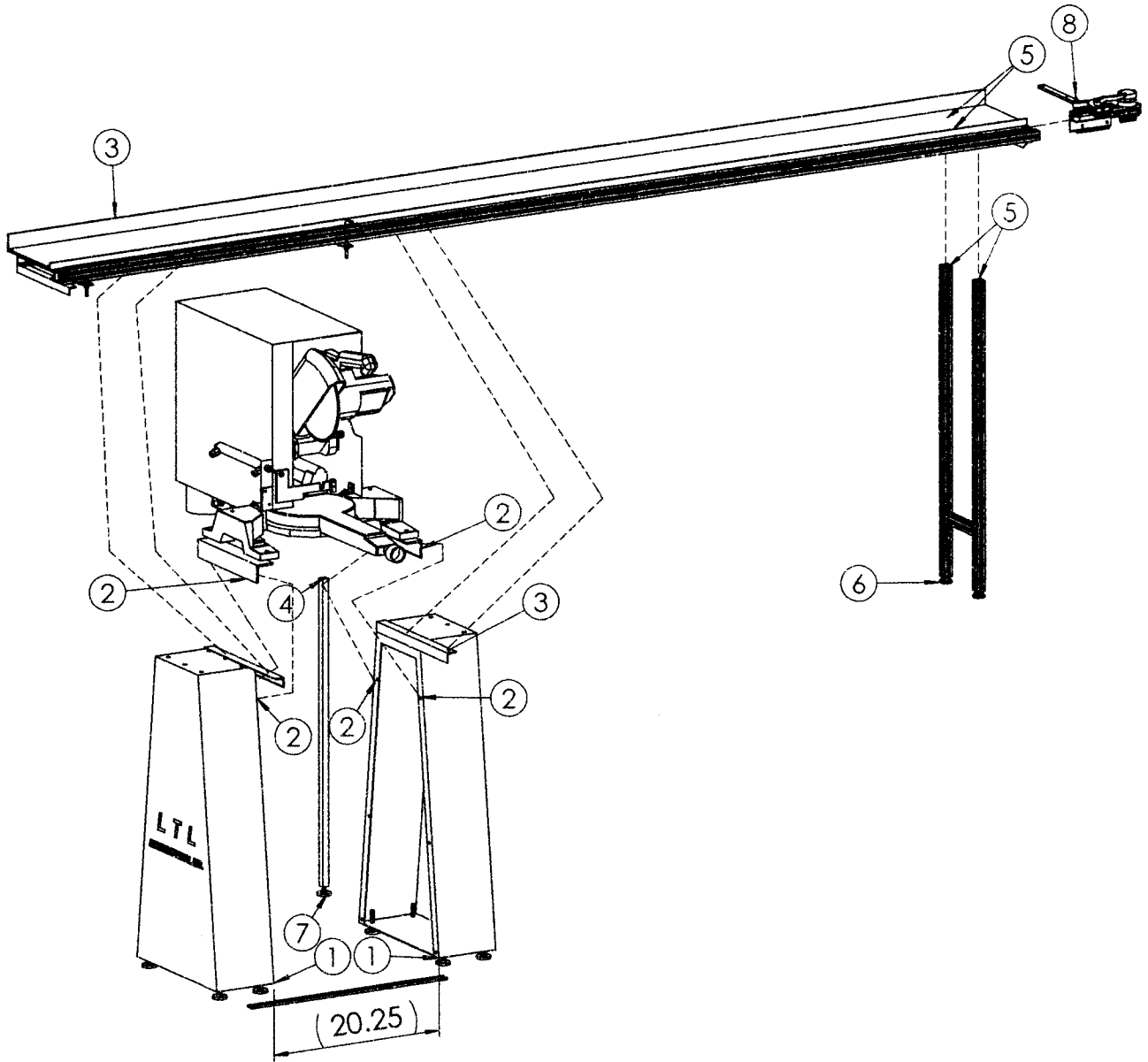
1115 Explorer St.  
Duncanville, TX 75137-3011

E Mail (davidw@ltl-int.com)

Phone (972) 709-7673  
Phone (800) 533-3371

Web Site([www.ltl-int.com](http://www.ltl-int.com))

Fax (972) 709-7674  
Fax (800) 985-1020



**AI**

SW/BOOK/NOTCHING SAW/ASSY

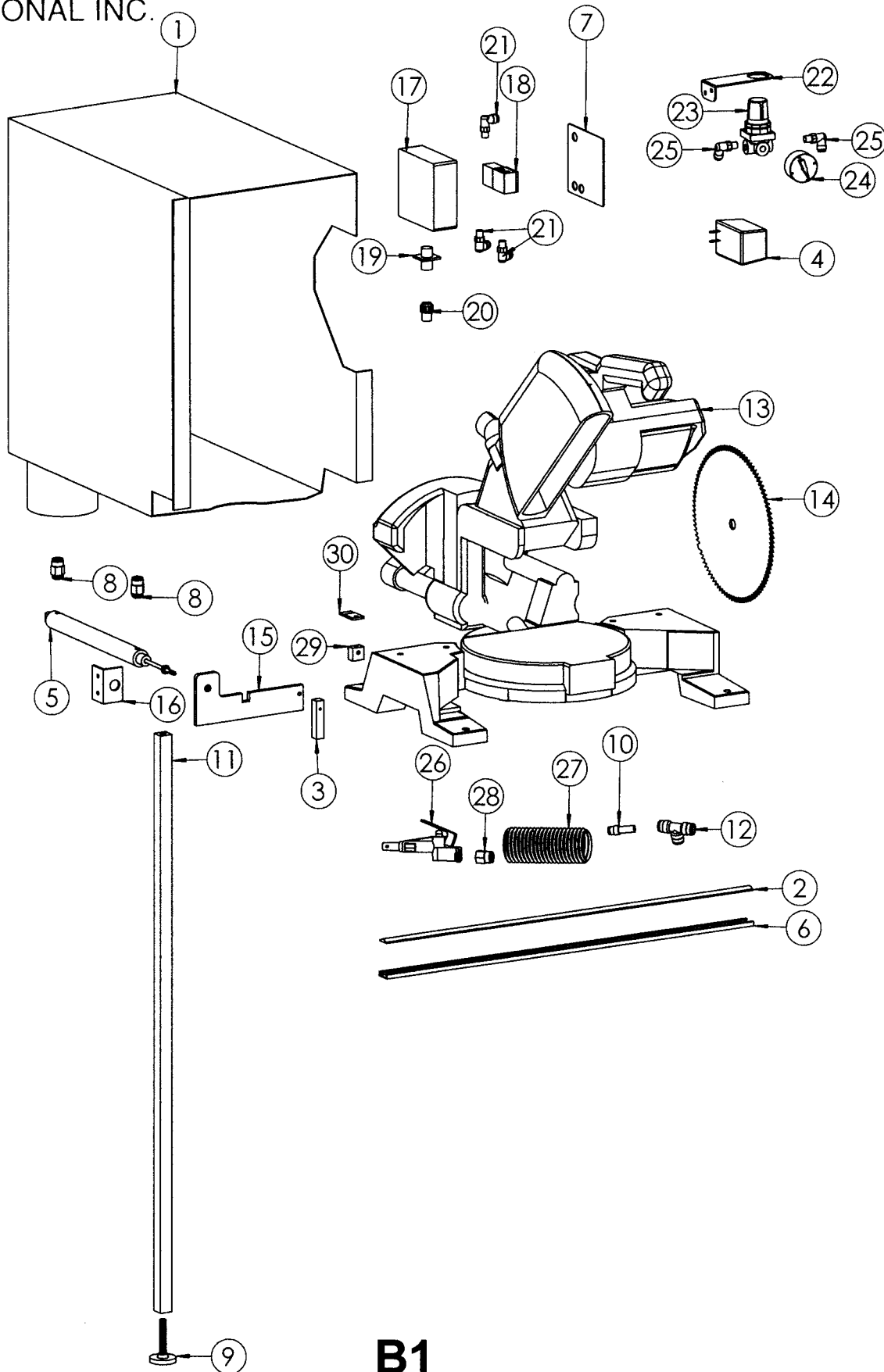


## Assembly of Notching Saw

1. Set two legs 20 1/4" apart per drawing (note L T L logo faces out).
2. Bolt (L) angle on bottom of saw to legs in four places.
3. Bolt table to top (L) angle on top of legs in four places.
4. Bolt back leg to bottom of dust cover.
5. Bolt alum. Leg to end of table.
6. Level table and saw using adjustment feet on legs.
7. Level dust cover using adjustment foot on back of dust cover.
8. Slide head rail clamp on to track (note bolt head and washer goes inside track).

**A1**

# ROUTLRSS SAW PARTS



**B1**



INTERNATIONAL INC.

## ROUTLESS SAW PARTS

Item #	Part #	Description
1	SMS DCOV	DUST COVER
2	RIBBON-S2	RIBBON SWITCH
3	SMS SLAT NOSE SUP	SLAT CLAMP SIDE FOOT
4	TRANS 12 DC	12 VOLT TRANSFORMER
5	MB 098 DP	SLAT CLAMP CYLINDER
6	RIBBON-T2	RIBBON SWITCH BASE
7	MLR11	BLOWER BOX COVER
8	MWH2	AIR FITTING
9	8020 2203	SUPPORT LEG FOOT
10	MWF5	1/4 TO 3/8 AIR REDUCER
11	8020 1010	SAW SUPPORT LEG
12	MWF7	3/8 AIR TEE
13	SMS SAW	MAKITA SLIDING MITER SAW
14	SAWB10TC	10" BLADE
15	SMS SHB	SLAT CLAMP
16	NSCCBKT	SLAT CLAMP CYLINDER BRACKET
17	MLR10	POWER BOX
18	AWCSA701	AIR 45 MAC VALVE
19	AWC13	ELECTRIC CONNECTOR
20	AWC15	ELECTRIC CONNECTOR
21	MWW2	AIR FITTING
22	MPVCA3BKT	AIR REGULATOR BRACKET
23	MPVCVA3	AIR REGULATOR
24	MPVCA4	AIR GAUGE
25	MWW5	AIR FITTING
26	Z BLOW GUN	BLOW GUN
27	BLOW GUN HOSE	BLOW GUN HOSE
28	MWH4	AIR FITTING
29	NS2TO2.5DSBKT	BRACKET TO HOLD SPACER
30	NS2TO2.5SPACER	SPACER

### B1

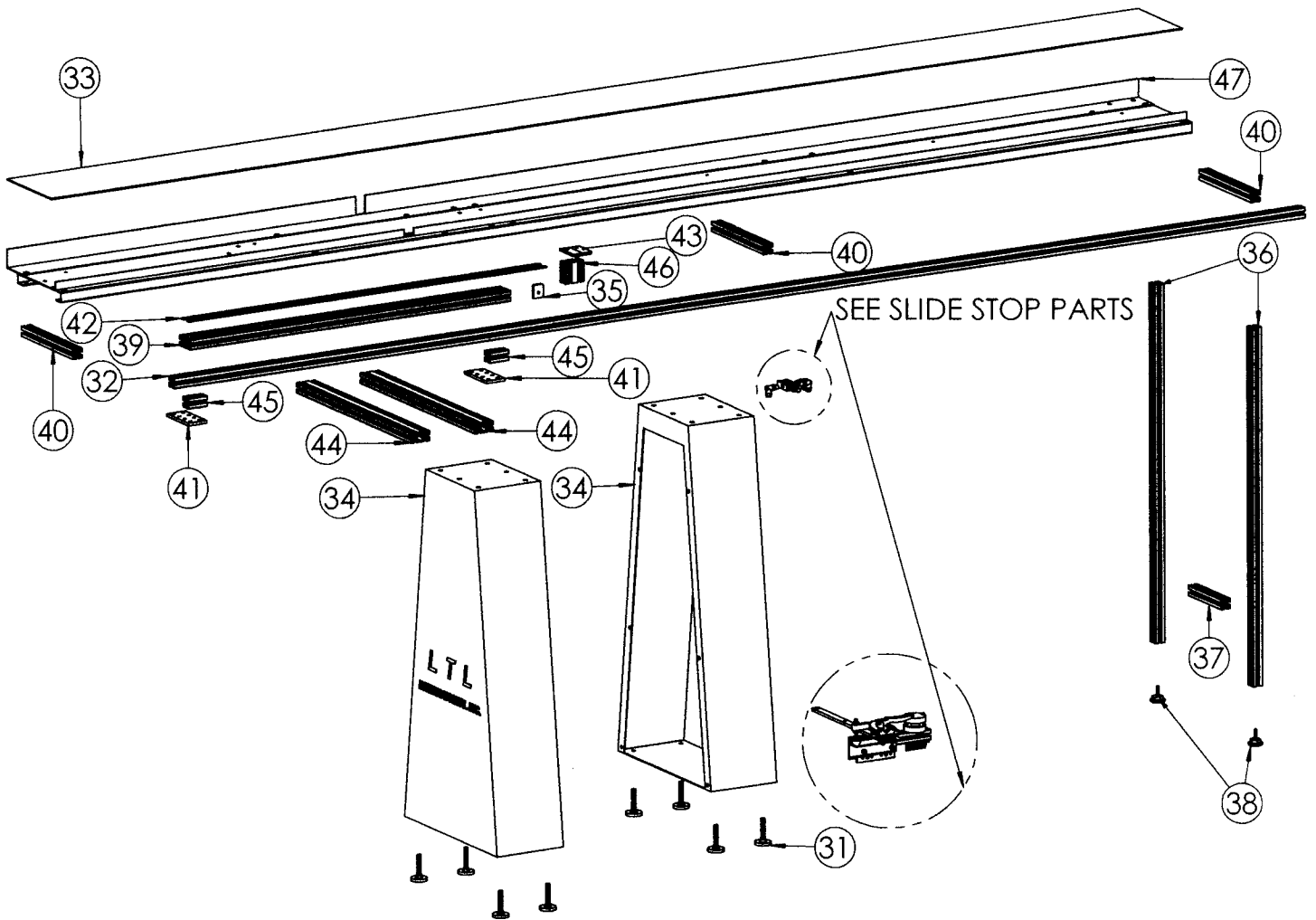
1115 Explorer St.  
Duncanville, TX 75137-3011

E Mail (davidw@itl-int.com)

Phone (972) 709-7673  
Phone (800) 533-3371

Web Site(www.itl-int.com)

Fax (972) 709-7674  
Fax (800) 985-1020



## B2



INTERNATIONAL INC.

## NOTCHING SAW TABLE PARTS

Item #	Part #	Description
31	ML02	FOOT
32	1010X120	120" 1010
33	NSTABLECOVER	PLASTIC TABLE COVER
34	ML34	LEG
35	NSBRK	2 TO 2 1/2" BRACKET
36	1010X34.25	1" X 1' X 34 1/4" ALUM.
37	1010X6	1" X 1' X 6" ALUM.
38	2203	FEET
39	1020X34	1" X 2' X 34" ALUM.
40	1010X9.5	1" X 1' X 9 1/2" ALUM.
41	4165	2X4 8 HOLE JOINING PLATE
42	2114X38	PLASTIC INSERT
43	NSSW3	SIGHT WINDOW
44	1020X21	1" X 2' X 21" ALUM.
45	1010X2	1" X 1' X 2" ALUM.
46	1020X21	1" X 2' X 21" ALUM.
47	MHTA	SMS TABLE

**B2**

E/PARTS BOOK PAGES/NATCHING ASW/TABLE PARTS

1115 Explorer St.  
Duncanville, TX 75137-3011

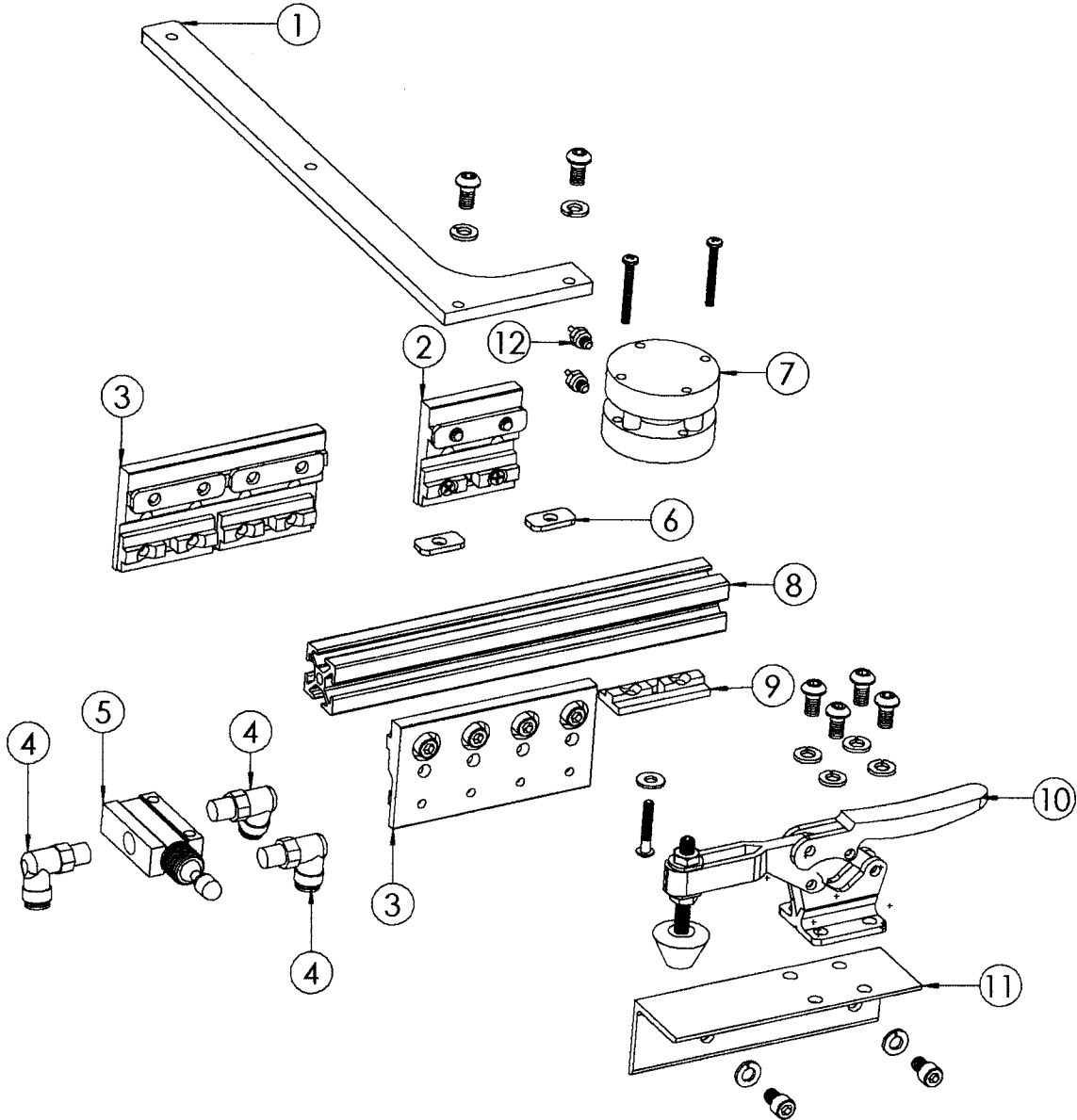
E Mail (davidw@itl-int.com)

Phone (972) 709-7673  
Phone (800) 533-3371

Web Site(www.itl-int.com)

Fax (972) 709-7674  
Fax (800) 985-1020

# ROUTLESS SLIDE STOP PARTS



**B3**

REV. 10-28-03

E/BOOK/NOTCHING SAW/SLIDE STOP PARTS

1115 Explorer St.  
Duncanville, TX 75137-3011

Phone (972) 709-7673  
Phone (800) 533-3371

Fax (972) 709-7674  
Fax (800) 985-1020

E Mail (davidw@ltl-int.com)

Web Site(www.ltl-int.com)

## ROUTLESS SLIDE STOP PARTS

Item #	Part #	Description
1	HRSBS201	SLAT BUMP STOP
2	6760	2"SLIDE
3	6762	4"SLIDE
4	MWW5	AIR FITTING
5	MPVCA9	AIR SWITCH
6	3785	T NUT
7	MB1005D	AIRCYLINDER
8	1010X8	8" 1010 8020
9	6700	SLIDE GUIDE
10	PRCLAMP	HORIZONTAL CLAMP
11	NSCBKT	CLAMP BRACKET
12	MWW2	AIR FITTING

**B3** E/PARTS BOOK PAGES/NATCHING ASW/SAW PARTS 7-19-02