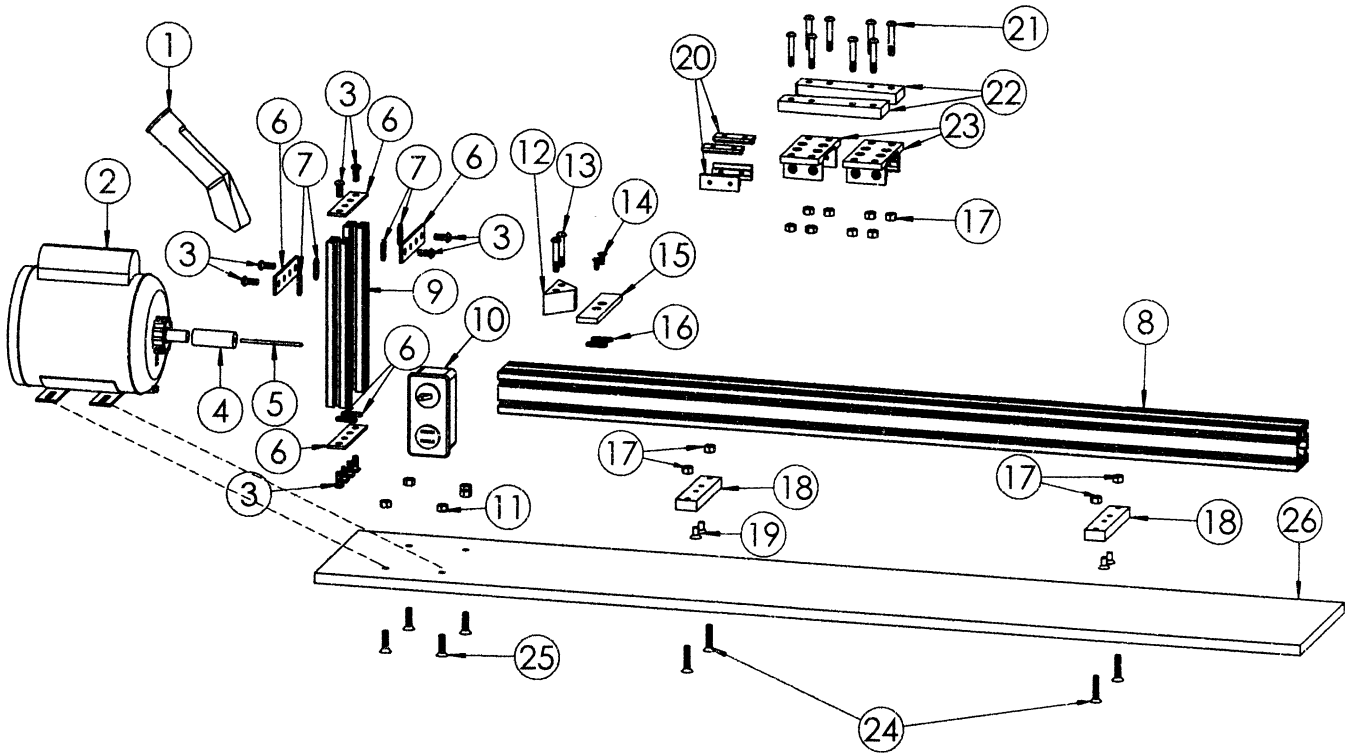


# LOUVER DRILL PARTS



**B1**



INTERNATIONAL INC.

# LOUVER DRILL TABLE

Item	Qty	Part #	Description
1	1	VAC NOZZLE	Vacuum nozzle
2	1	LDT MOTOR	Motor for LDT
3	10	252005BH	1/4-20 x 1/2" Button head
4	1	RAM LDC	Collar for LDT Motor
5	1	#18 DRILL BIT	#18 Drill bit
6	4	8020 4117	Four hole strap
7	12	8020 3382	1/4-20 T-nut
8	1	8020 2020 45	45" 2x2 Aluminium extrusion
9	2	8020 1010 8	8" 1x1 Aluminum extrusion
10	1	SWITCH BOX	110v Switch assembly
11	8	252000LN	1/4-20 Lock nut
12	1	RAM LDTG	Drill guide
13	2	252015BH	1/4-20 x 1 1/2" Button head
14	2	103205FH	#10-32 x 1/2" Flat head
15	1	RAM LDTH	Spacer for RAM LDTG
16	2	8020 3276	#10-32 T-nut
17	8	252000NT	1/4-20 Nut
18	2	RAM LDTS	Bottom spacer for 2 x 2
19	4	252010FH	1/4-20 x 1" Flat head
20	8	8020 6790	Bearing pad
21	8	252010BH	1/4-20 x 1" Button head
22	2	RAM LDTB	Angle guides for louver
23	2	8020 6723	Bearing frame
24	4	252015FH	1/4-20 x 1 1/2" Flat head
25	4	252010FH	1/4-20 x 1" Flat head
26	1	RAM LDT BASE	Base for LDT

REVISION 12-20-05

## B1

E/PARTS BOOK PAGES/RAM/Louver drill table

1115 Explorer St.  
Duncanville, TX 75137-3011

E Mail (davidw@ltl-int.com)

Phone (972) 709-7673  
Phone (800) 533-3371

Web Site(www.ltl-int.com)

Fax (972) 709-7674  
Fax (800) 985-1020