



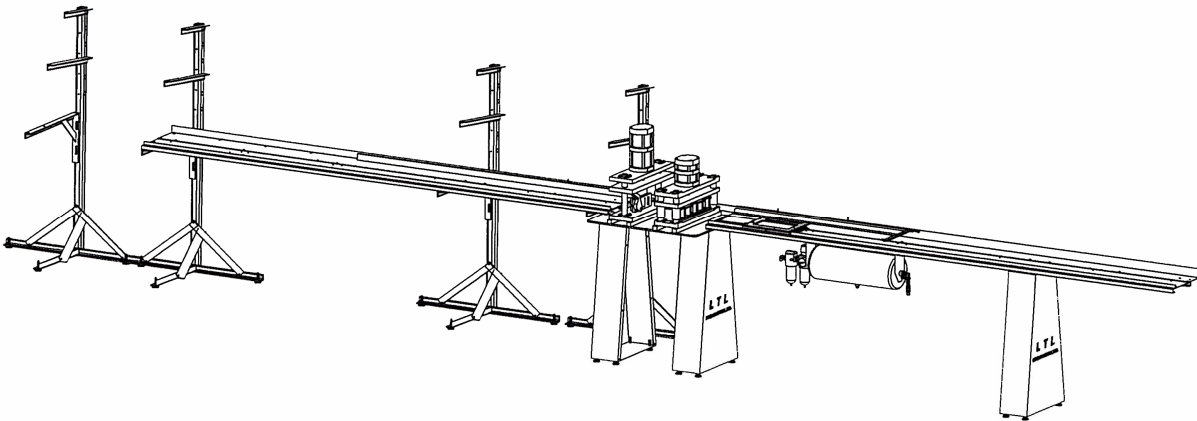
INTERNATIONAL INC.

Headrail Machines

- Die set as seen on previous page
- 10' Feed and exit tables
- Single Bump Stop System
- Pneumatic locking end stop guide
- 4 Cantilever storage racks
- Air tank with regulator and coalescing filter
- Double tonnage air cylinders

HR / Table Assembly

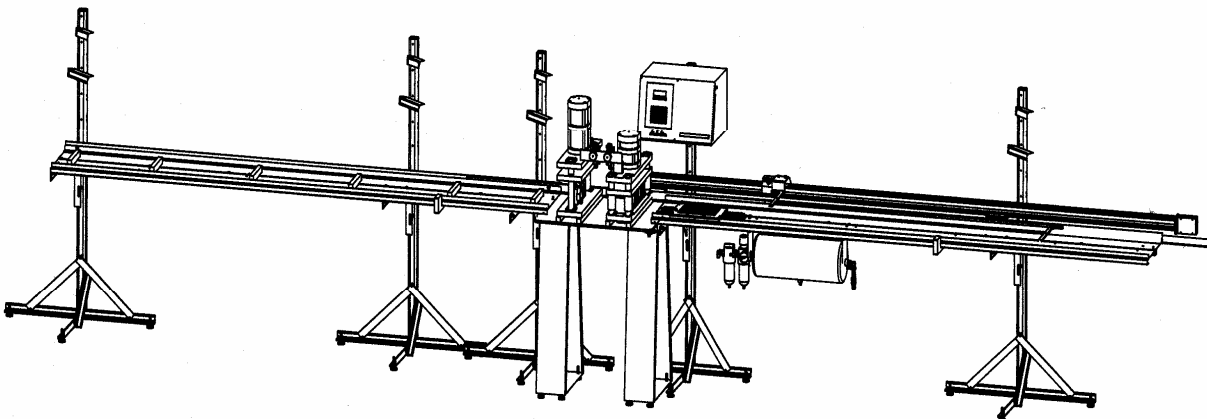
\$22,200.00



- Barcode scanner included
- Computerized bump stop
- 2 on 1 or 3 on 1 calculated for you
- Auto deduction for HR smaller than blind
- Decimals or fractions

HR / Automated

\$30,700.00



Website www.ltl-int.com

E-mail davidw@ltl-int.com

1115 Explorer St.
Duncanville, TX 75137

Phone 972-709-7673
800-533-3371

Fax 972-709-7674
800-985-1020