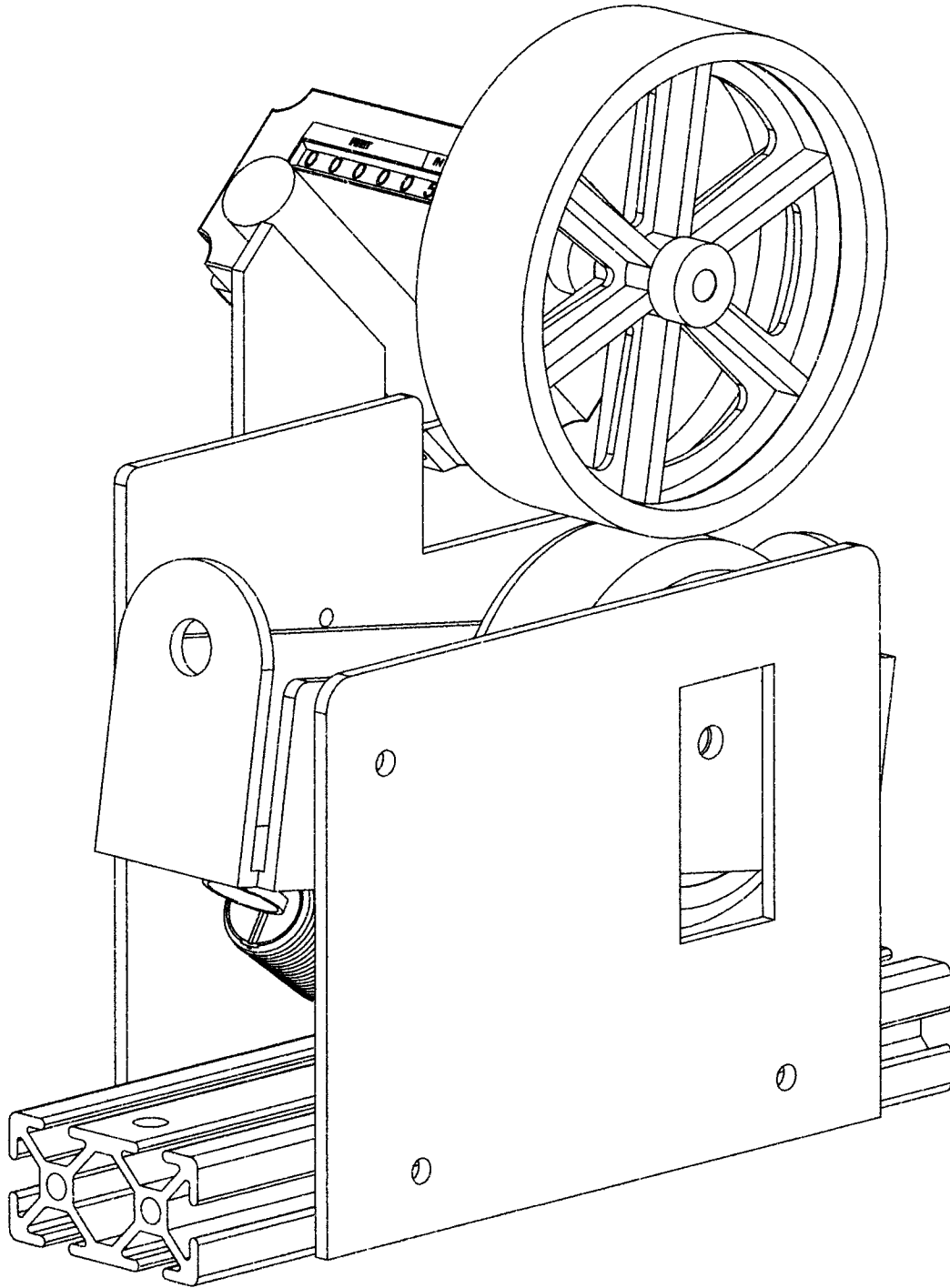
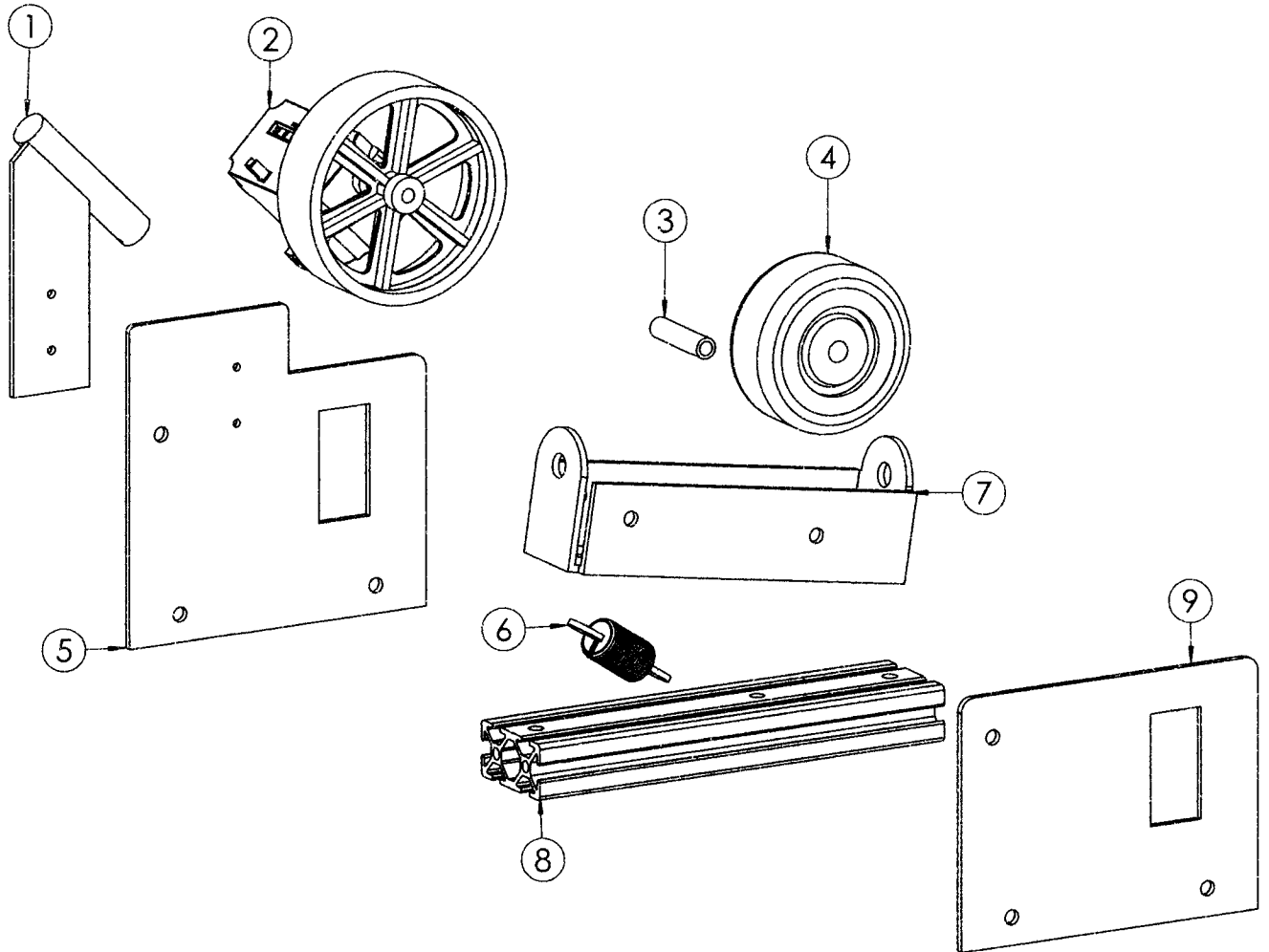


# CORD COUNTER PARTS BOOK



# PARTS



## B1

## PARTS

Item #	Part #	Description
1	WHEEL MOUNT	Mount for counter unit
2	COUNTER	Counter unit
3	BUSHING	Bushing for tension wheel
4	WHEEL	Tension wheel
5	LEFT PLATE	Left mounting plate
6	SPRING	Spring for tension wheel
7	COUNTER BASE	Base for cord counter
8	8020 1010 10	1 x 1 x 10"
9	RIGHT PLATE	Right mounting plate