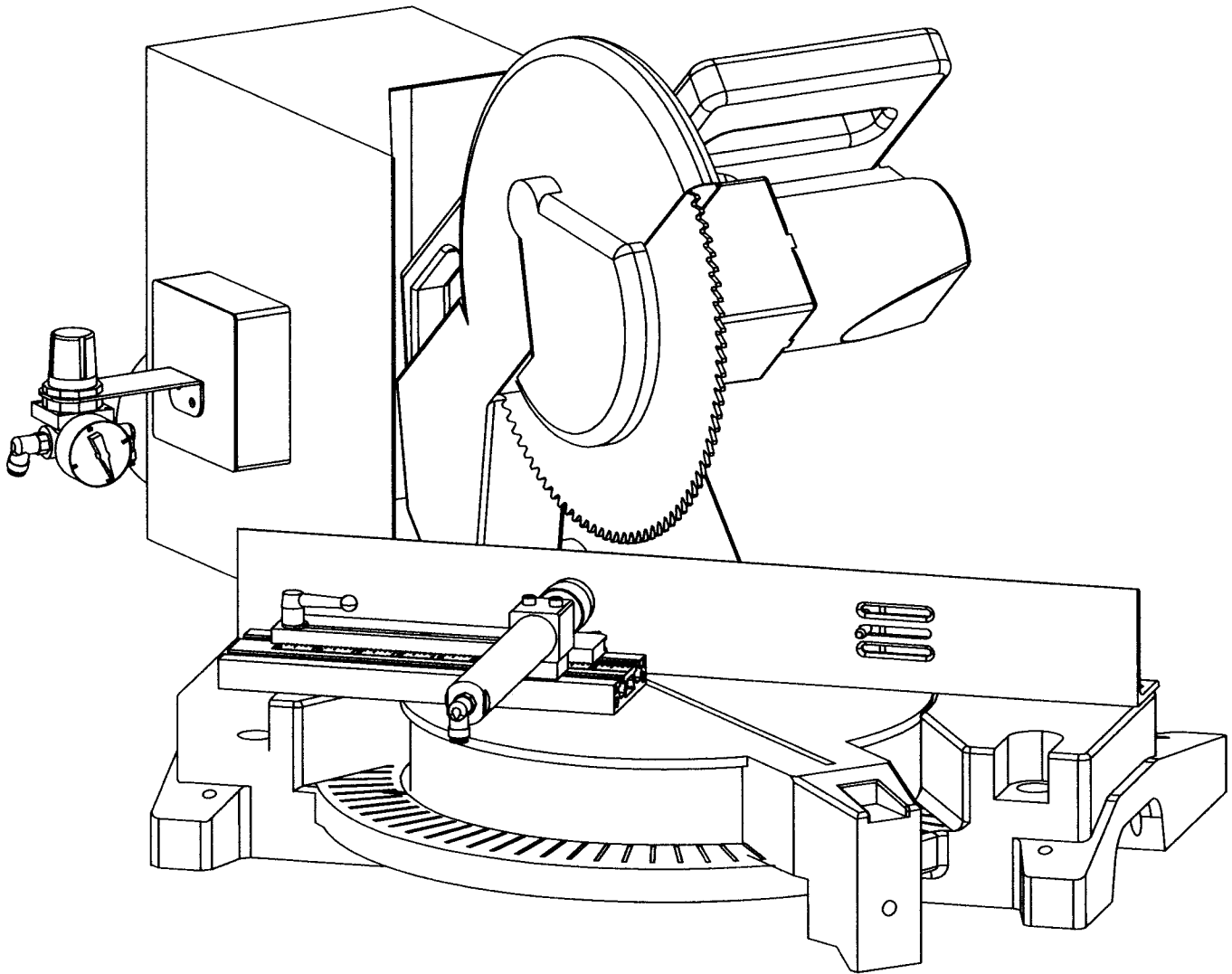
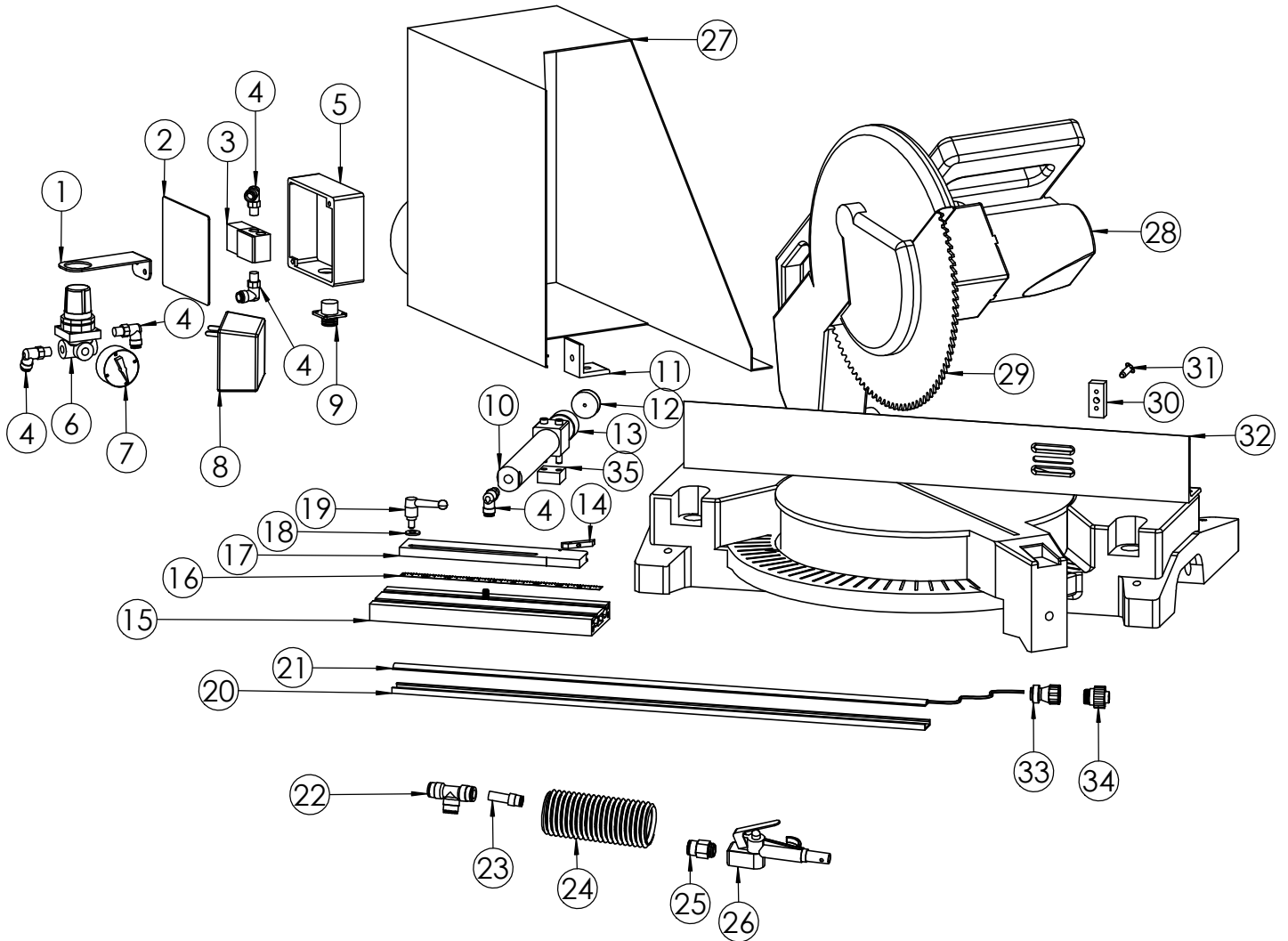


# CHOP SAW 2008



## PARTS BOOK

# CSAW 12



## CSAW 12" Parts

Item No.	Quantity	Part Number	Description
1	1	MPVCA3BKT	Bracket for regulator
2	1	MLR11	Cover for 4" x 4" box
3	1	MAC3512	Air valve
4	5	MWW2	1/8 x 1/4" swivel fitting
5	1	MLR10	4" x 4" box
6	1	MPVCA3	Regulator
7	1	MPVCA4	Air gauge
8	1	TRAN12DC	12VDC Transformer
9	1	AWC13	Cord end
10	1	MB0710	3/4" Bore x 1" stroke cylinder
11	1	8020 4503	"L" bracket
12	1	CSCNRUB	Rubber nose for clamp
13	1	CSCNRUB	Nylon nose for clamp
14	1	SPH502	Catch for CSAW
15	1	8020 3075 10	3 x .75 x 10"
16	1	M12TAPER	Tape measure 12" right to left
17	1	CSMHOT02	Left slide plate
18	1	250000FW	1/4" Flat washer
19	1	MCCD	1/4-20 Lock handle
20	1	RIBBON T2	2" Foot switch track
21	1	RIBBON S2	2" Foot switch
22	1	MWF7	3/8" Tee
23	1	MWF5	1/4 x 3/8" Adapter
24	1	AIR HOSE	Hose for blowgun
25	1	MWW4	1/4 x 1/8" Fitting
26	1	BLOW GUN	Blow gun
27	1	CSAW COV 12	Cover for CSAW 12
28	1	CSAW 12	Saw
29	1	BSAWB12 ???	12" Saw blade ( ATB or Triple chip )
30	1	CSRDS01	Right stop
31	1	250020PP	1/4 x 2" Pull pin
32	1	CSAW12 FENCE	Fence for CSAW 12
33	1	AWC9	Strain relief
34	1	AWC15	Plug
35	1	BF041SP	Spacer for clamping cylinder

**B1**