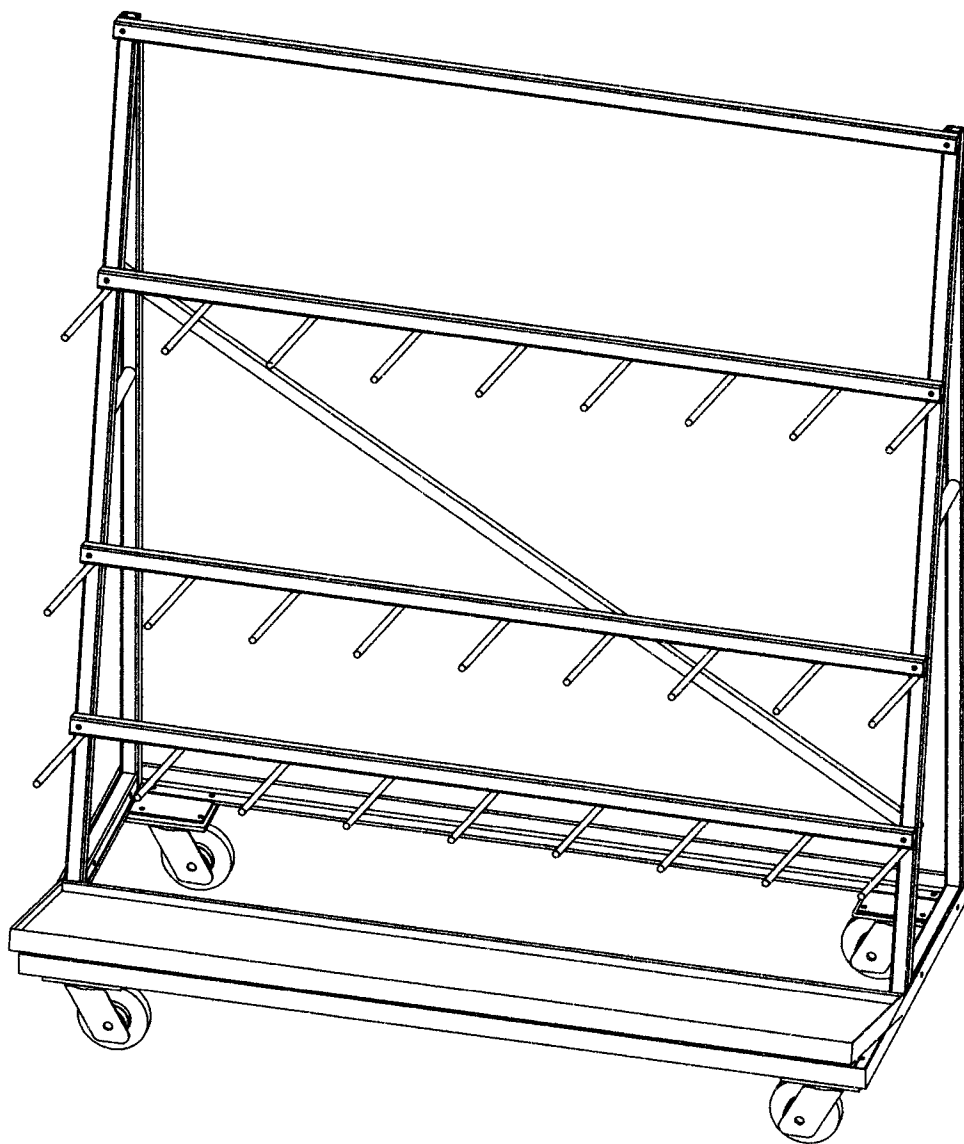
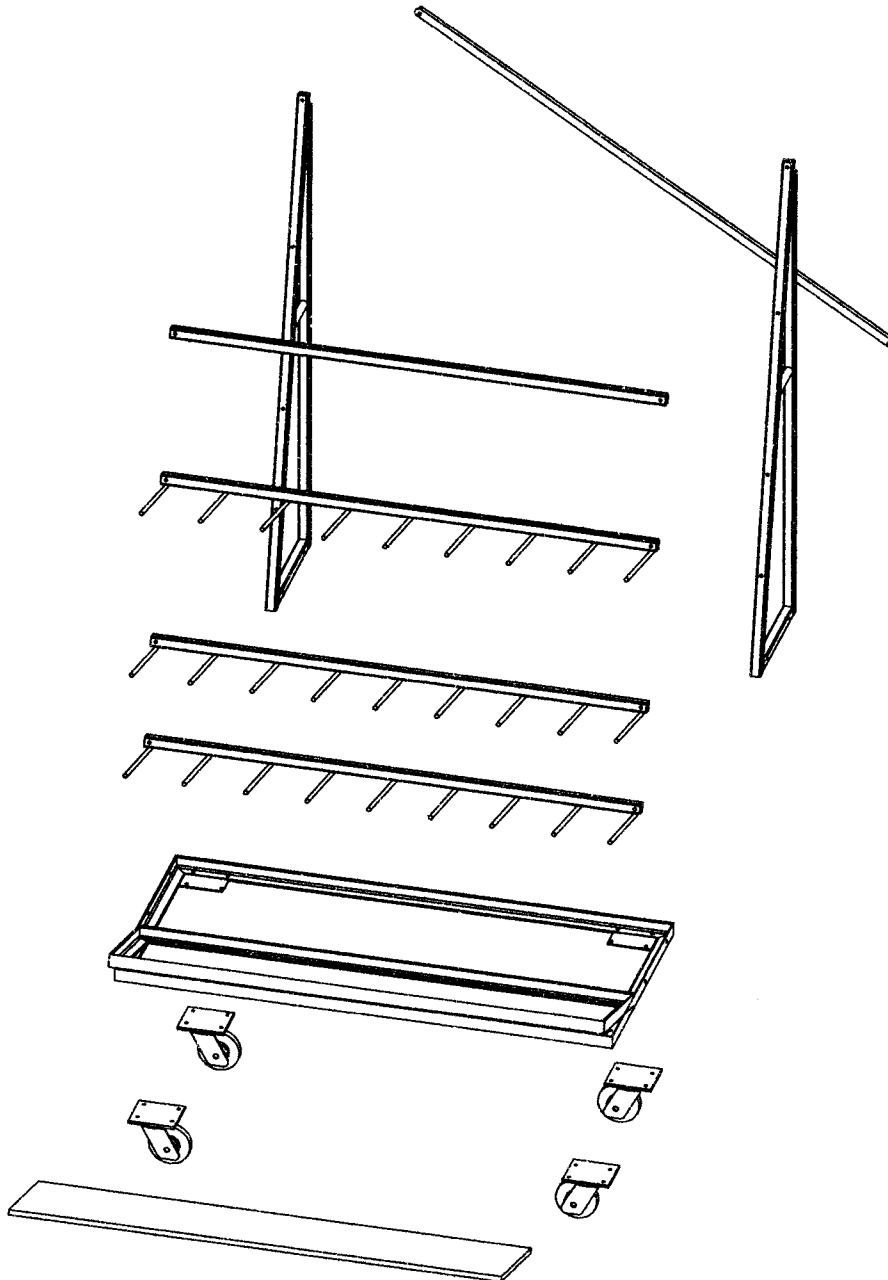


VERTICAL CART

PARTS AND ASSEMBLY



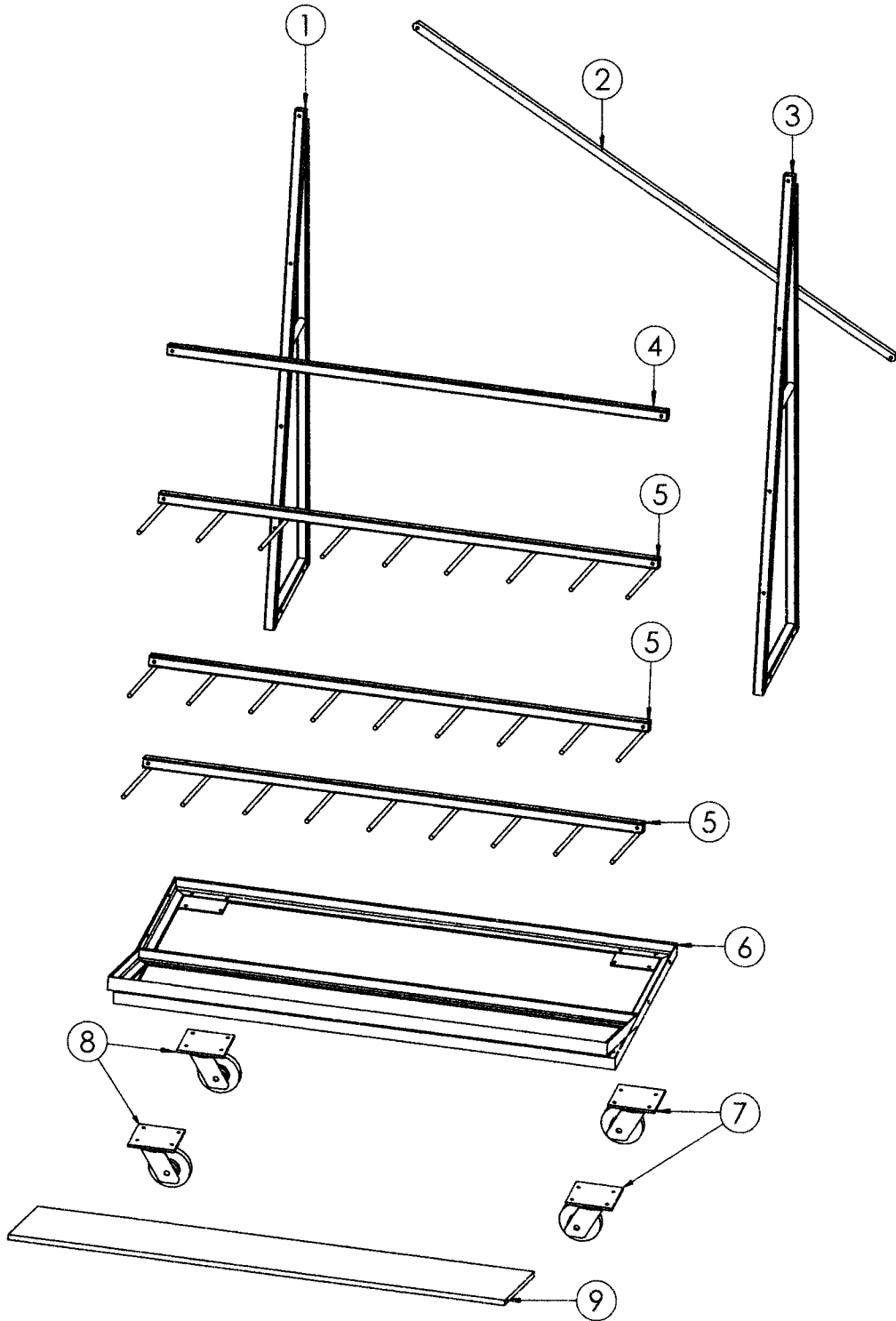


1. Attach wheels to bottom of frame.
2. Lay base on floor wheel down.
3. Bolt triangle shaped sides to bottom frame making sure side with pull handle is on swivel wheels.
4. Attach square tubing with round rods to sides and square tubing with out round bars to side.
5. Attach cross brace to sides
6. Lay wood floor on frame.

A1

SW/BOOK/VERTICAL CART/VC ASSY

PARTS



B1

Item	Qty	Part #	Description
1	1	BCVSWPB	TRIANGLE SHAPED END WITH PULL BAR
2	1	BCVDB	CROSS BRACE
3	1	BCVS	TRIANGLE SHAPED END WITHOUT PULL BAR
4	1	BCVT	TOP BAR WITH VELCRO
5	3	BCVR	MIDDLE BARS WITH VELCRO
6	1	BCVB	BOTTOM ASSY
7	2	BCWF	FIXED WHEEL
8	2	BCWS	SWIVEL WHEEL
9	1	BCVWF	BOARD

B1

REVISION 12-15-99

E/PARTS BOOK PAGES/VERTICAL CART/VERTICAL CART PARTS