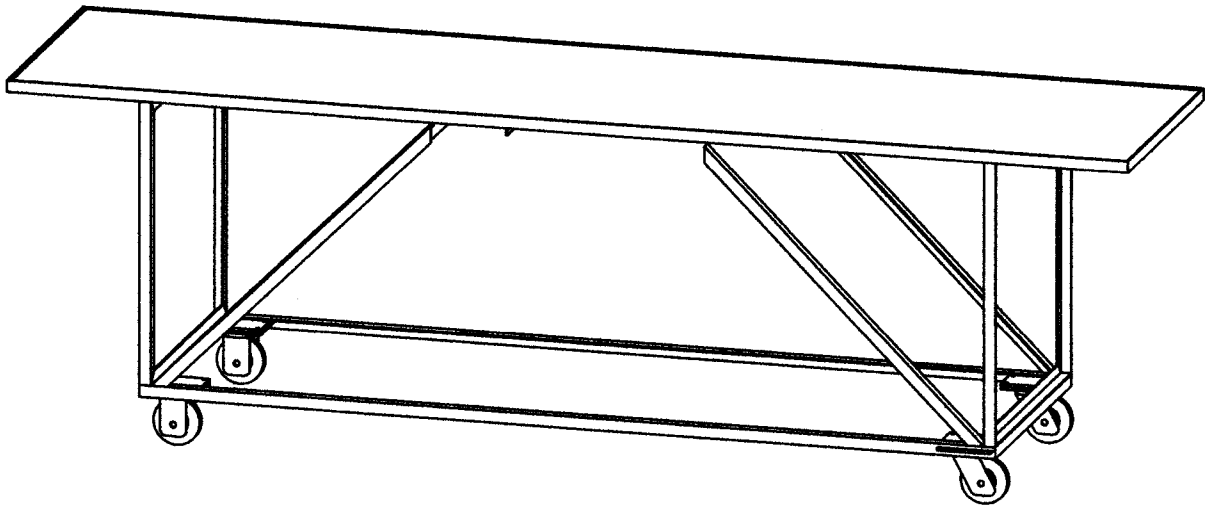
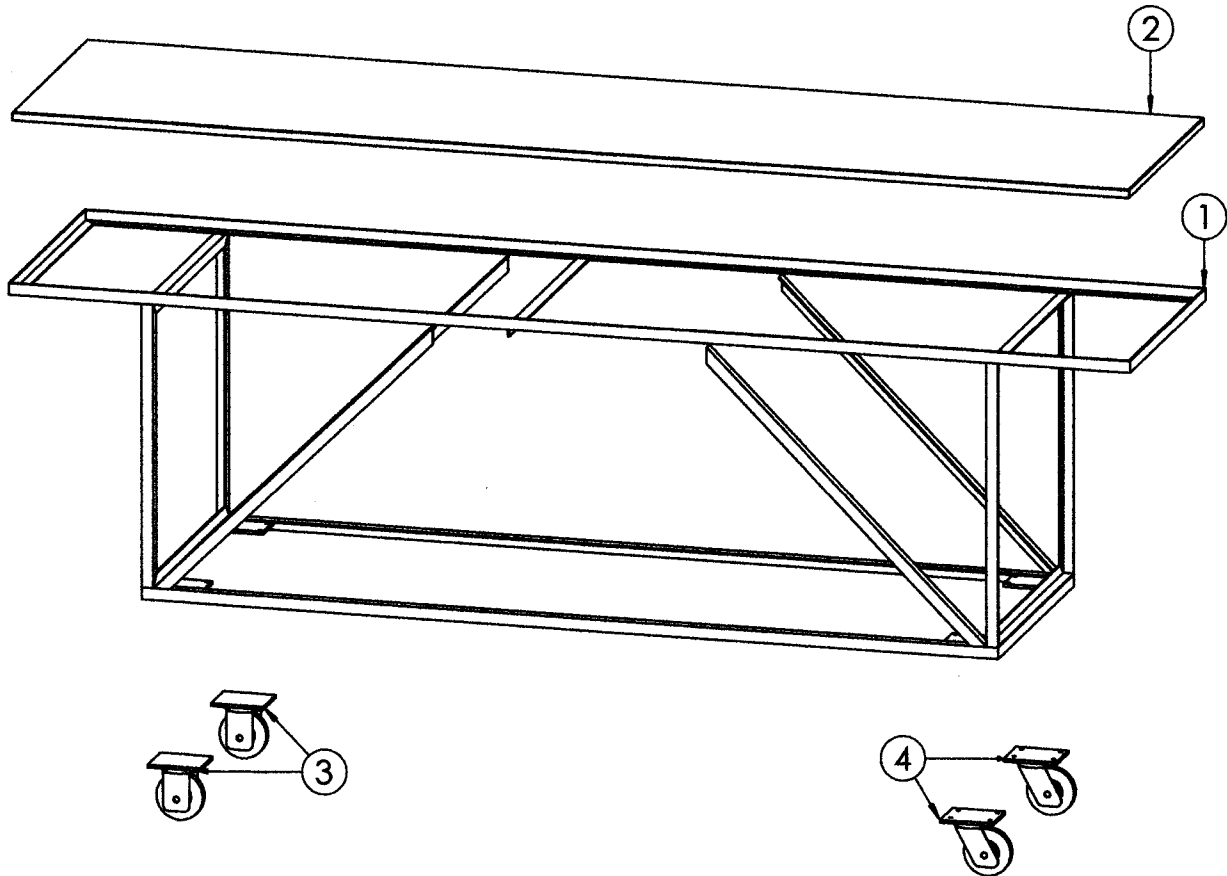


SLAT CART PARTS



SLAT CART PARTS





SLAT CART

Item #	Quantity	Part #	Description
1	1	SLAT CART ASSY	CART FRAME
2	1	SC 24X96 MEL	2FT. 8FT. MELOMINE
3	2	CWR4	FIXED WHEELS
4	2	CWS4	SWIVEL WHEELS

Revision 1: 1/6/2009

B1

3/PARTS BOOK PAGES/SC CART/ SLATPARTS 1-60-9

1115 Explorer St
Duncanville, TX 75137-3011

Phone 972-709-7673
Phone 800-533-3371

Fax 972-709-7674
Fax 800-985-1020

E-Mail (davidw@lti-int.com)

Web Site (www.lti-int.com)