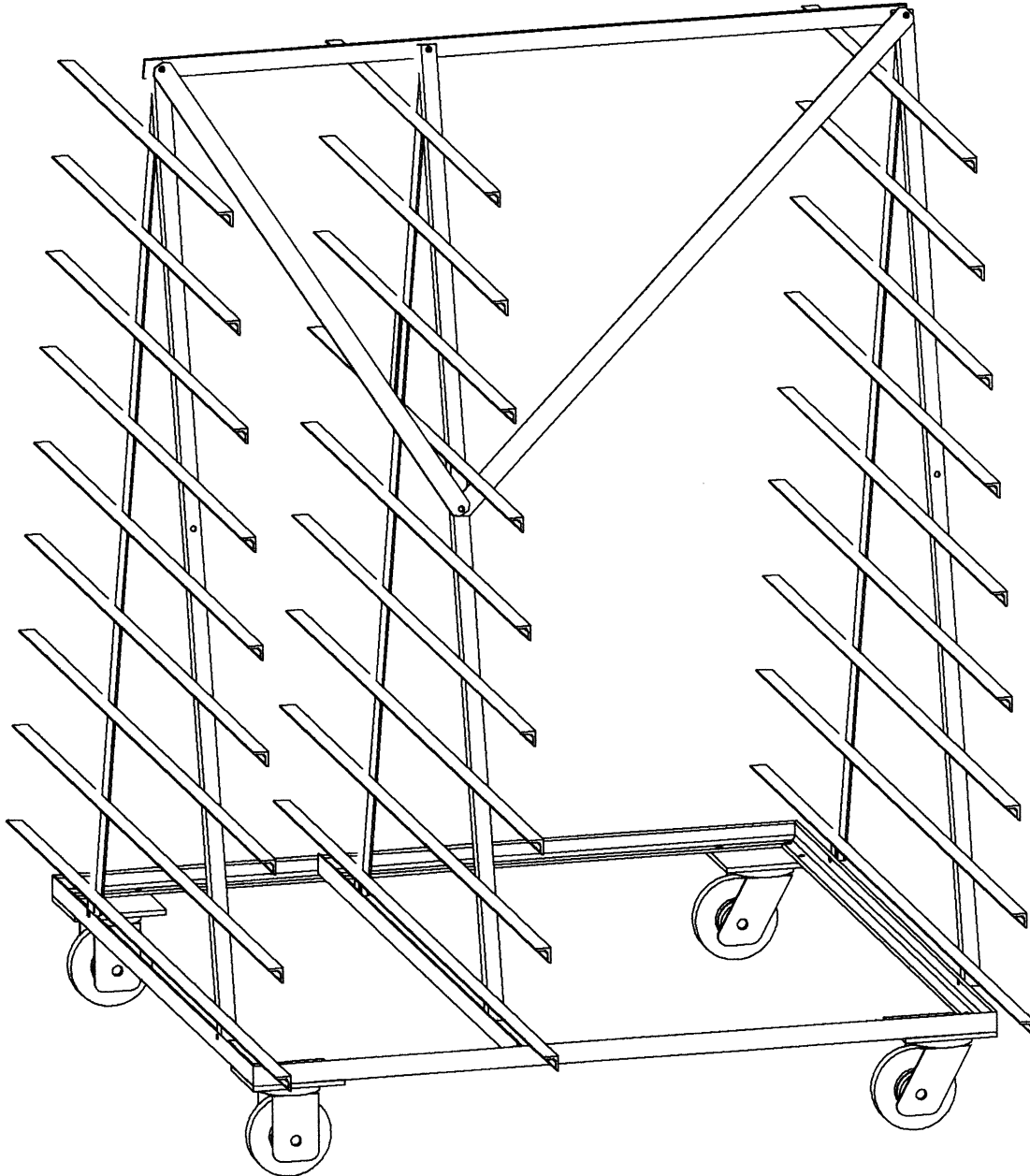
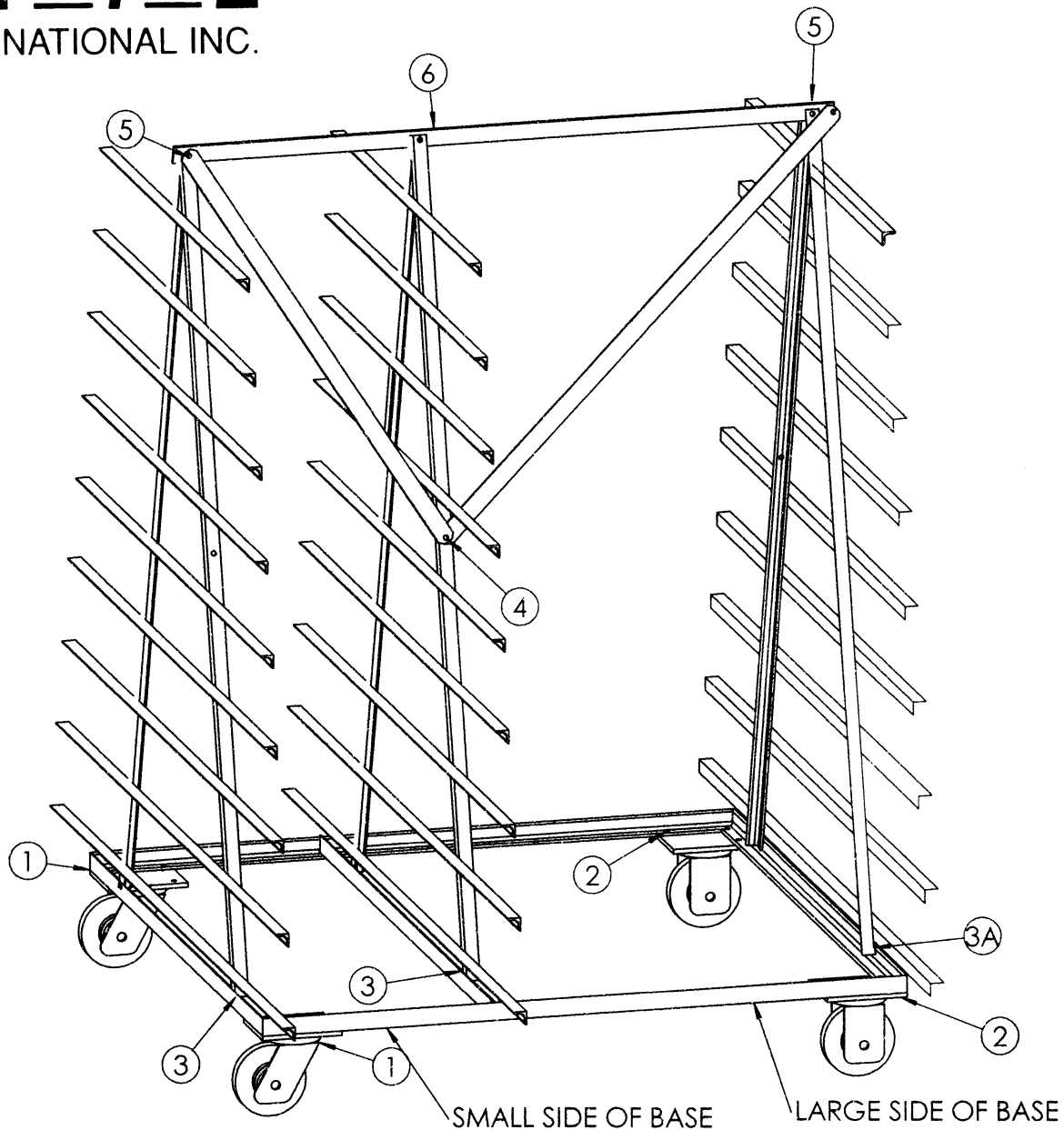


## HORIZONTAL CART PARTS AND ASSEMBLY

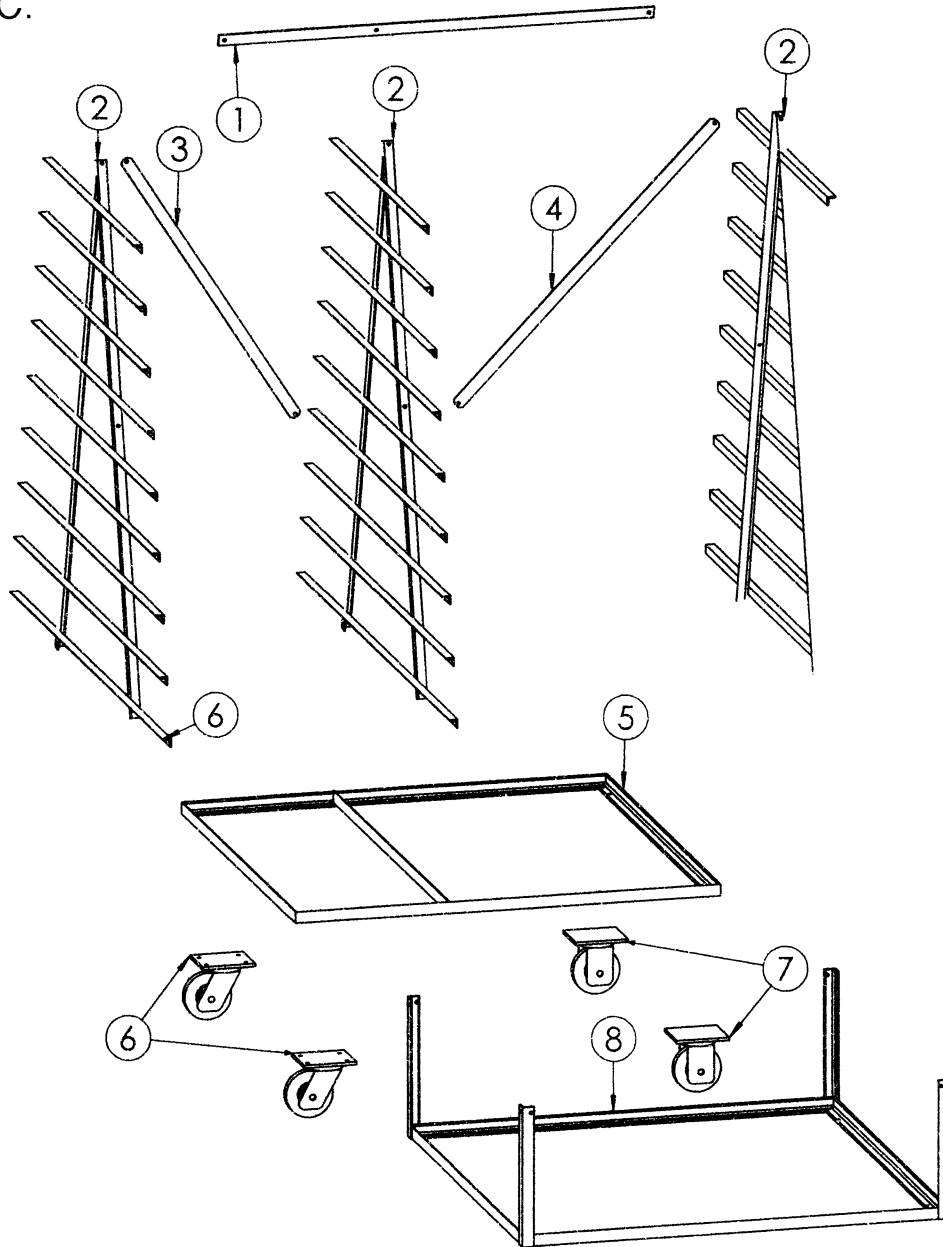




- # 1 ATTACH SWIVEL WHEELS TO SMALL SIDE OF BASE USING 1/4-20 BOLTS AND LOCK NUTS
- #2 ATTACH STRAIGHT WHEELS TO LARGE SIDE OF BASE USING 1/4-20 BOLTS AND LOCK NUTS
- #3 ATTACH (A) FRAMES TO BASE USING 1/4-20 BOLTS AND LOCK NUTS  
( NOTE ) BOTH (A) FRAMES MARKED 3 MUST FACE THE SAME DIRECTION SAME AS PICTURE  
(A) FRAME MARKED 3A TURNS AROUND OPPOSITE OF THE OTHER TWO
- #4 ATTACH ONE LONG BRACE AND ONE SHORT BRACE TO CENTER (A) FRAME
- #5 ATTACH OTHER END OF BOTH BRACES TO TOP OF (A) FRAMES
- #6 ATTACH TOP BRACE TO TOP OF ALL (A) FRAMES

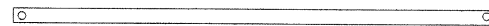
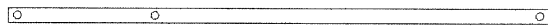
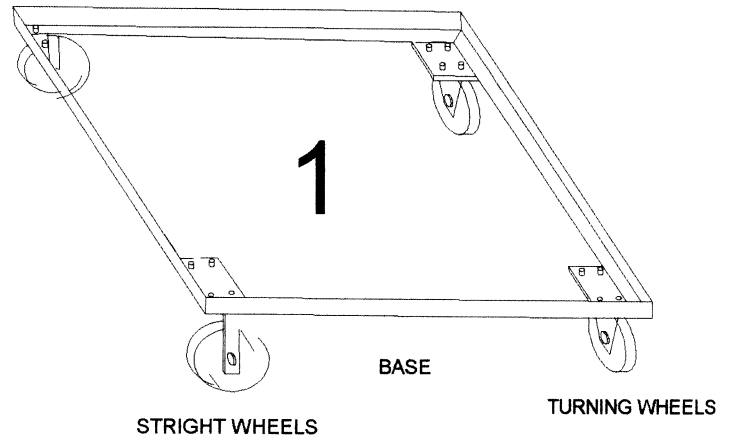
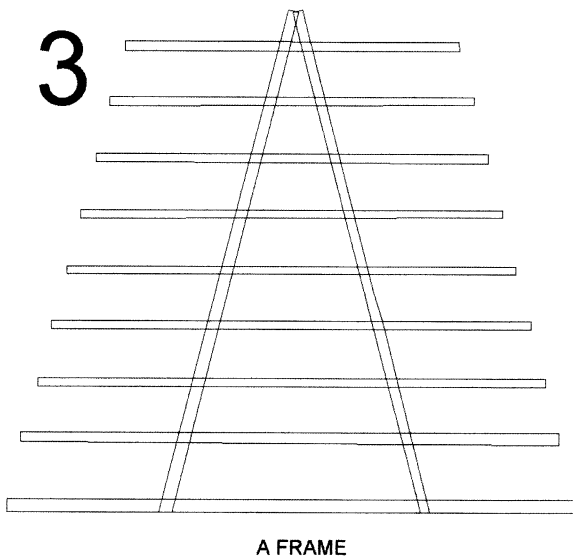
**A1**

# PARTS



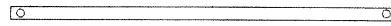
ITEM NO.	QTY.	PART NAME	DESCRIPTION
1	1	HAR TOP BRACE	TOP BRACE
2	3	A FRAME	UPRIGHT FRAMES WITH SHELVES
3	1	HRCROS BRACE 27	1/8" X 27" ANGLE BRACE
4	1	HRCROSE BRACE	1/8" X 32" ANGLE BRACE
5	1	BASE	BASE
6	2	SWILVEL WHEEL	TURNING WHEEL
7	2	STRIGHT WHEEL	STRIGHT WHEEL
8	1	EXTENTION	EXTENTION

# BOXING



**1**

TOP BRASE



**1**

SHORT BRASE

**1**

LONG BRASE

MAKE SHURE VELCRO IS ON RACKS  
 MAKE SHURE VELCRO IS ON CROSS BRACES  
 MAKE SHURE 2 STRIGHT WHEELS ARE ON BASE  
 MAKE SHURE 2 TURING WHEELS ARE ON BASE  
 7 1/4 - 20 X 3/4" PAN HEAD BOLTS  
 5 10 - 32 X 1/2" PAN HEAD BOLTS  
 7 1/4 - 20 LOCK NUTS  
 5 10 - 32 JAMB NUTS  
 PARTS BOOK

PART	DESCRIPTION
A FRAME	UPRIGHT A FRAMES WITH SHELVES
BASE	FRAME WITH WHEELS
TOP BRASE	1/8" X 36" TOP BRACE
LONG BRASE	1/8" X 32" ANGLE BRACE
SHORT BRASE	1/8" X 26" ANGLE BRACE
TURNING WHEELS	TURNING WHEELS
STRIGHT WHEELS	STRIGHT WHEELS
1/4 - 20 X 3/4" PAN HEAD BOLTS	1/4 - 20 X 3/4" PAN HEAD BOLTS
10 - 32 X 1/2" PAN HEAD BOLTS	10 - 32 X 1/2" PAN HEAD BOLTS
1/4 - 20 LOCK NUT	1/4 - 20 LOCK NUT
10 - 32 NUT	10 - 32 NUT