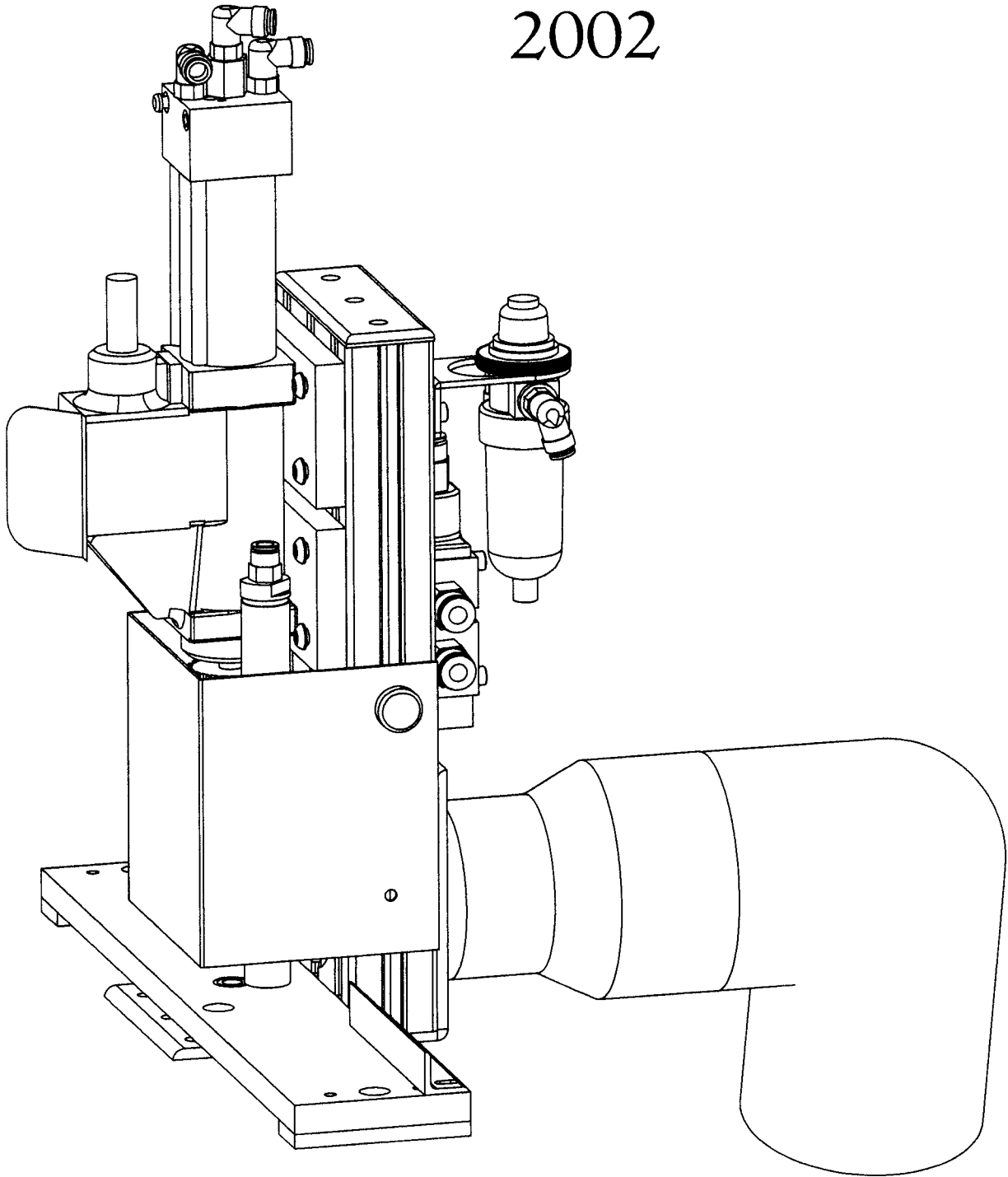
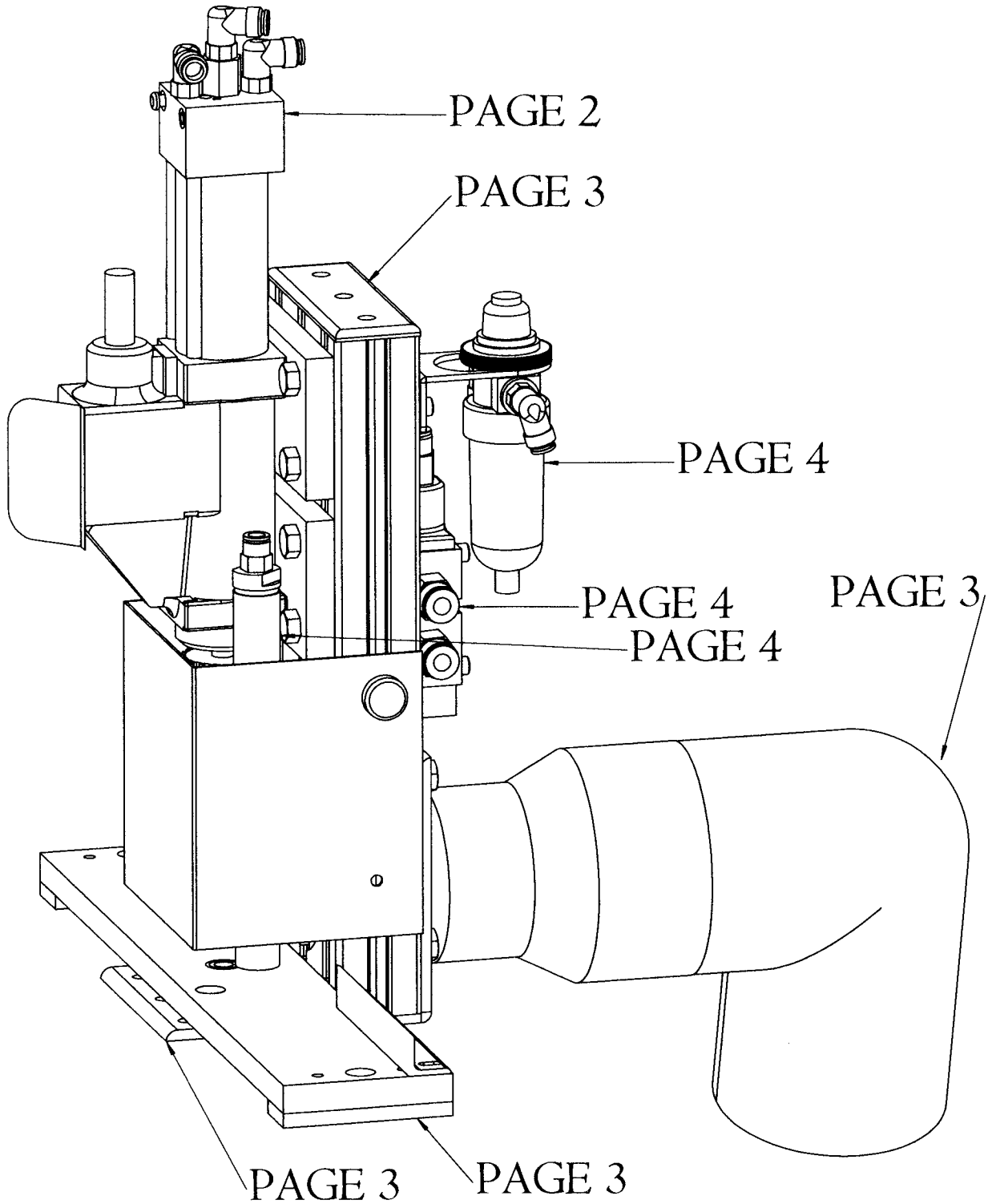


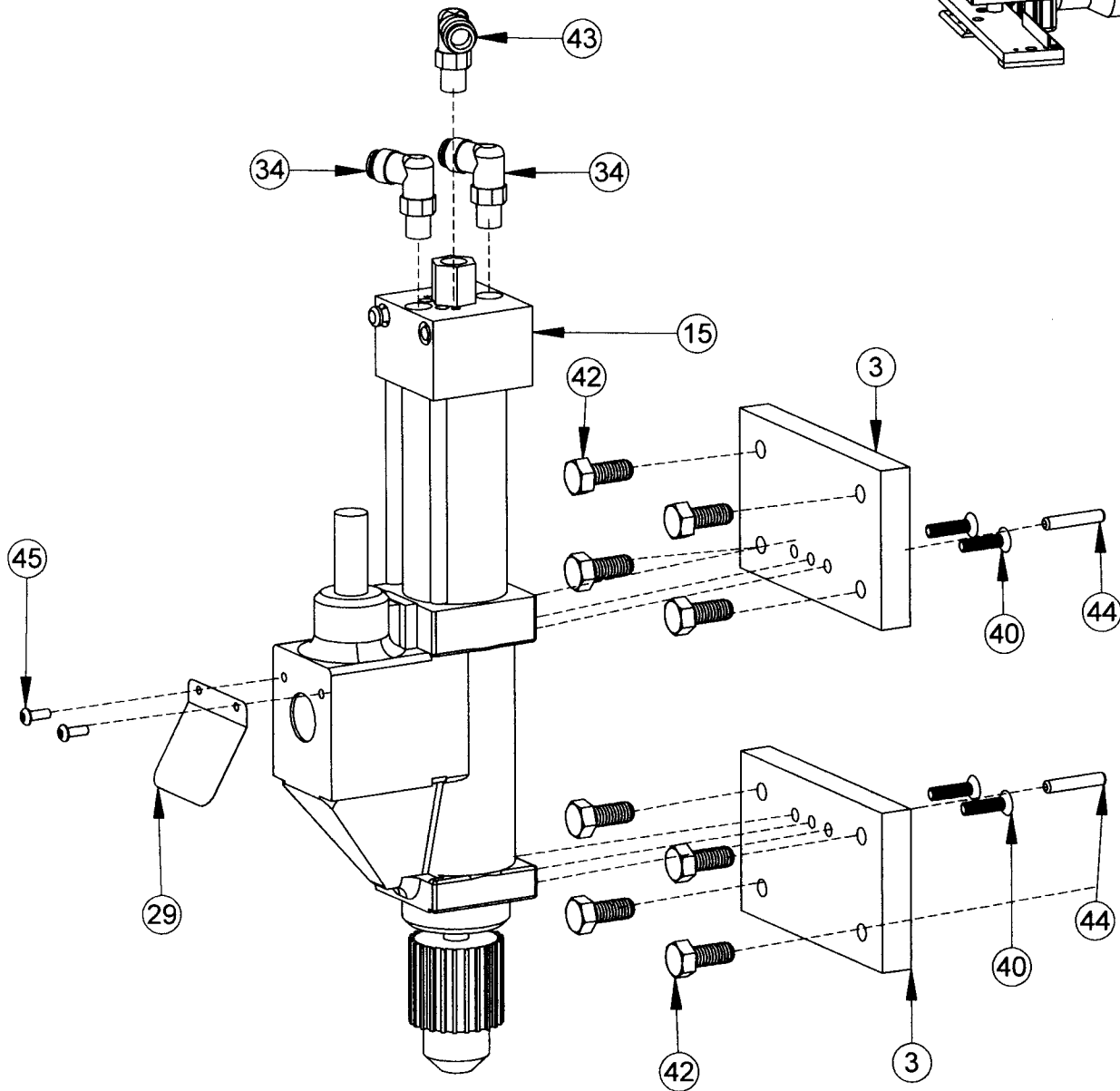
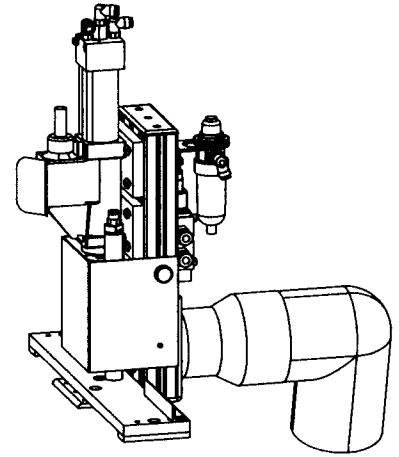
PNEUMATIC BOTTOM RAIL DRILL

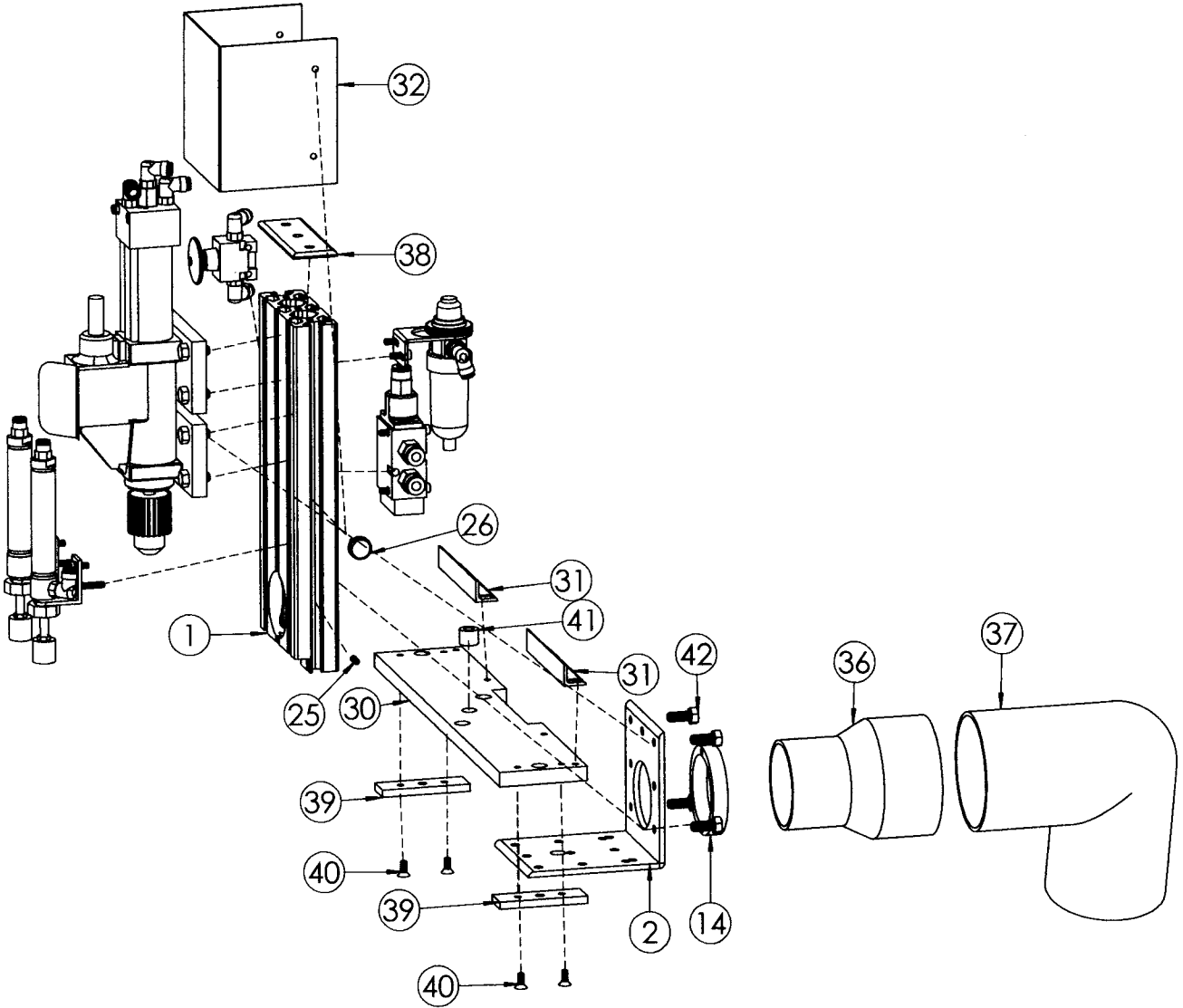
2002

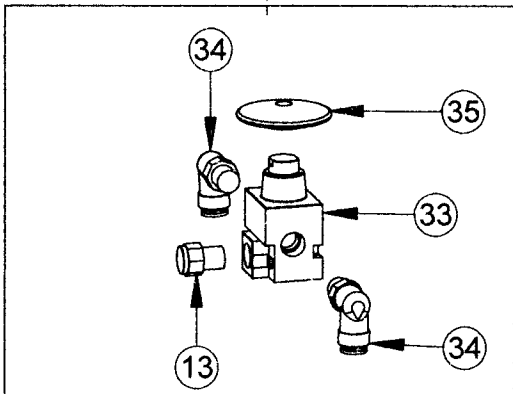
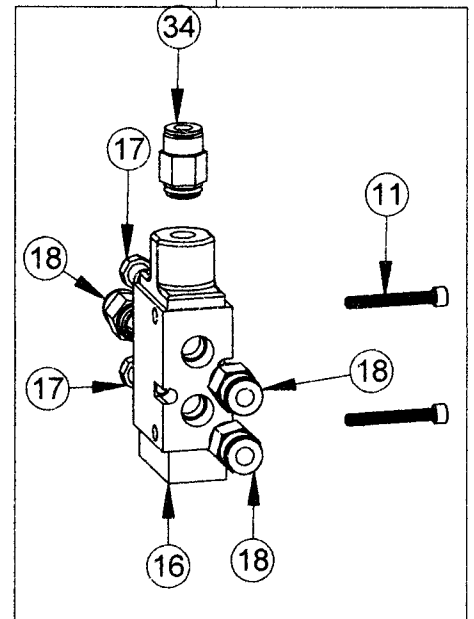
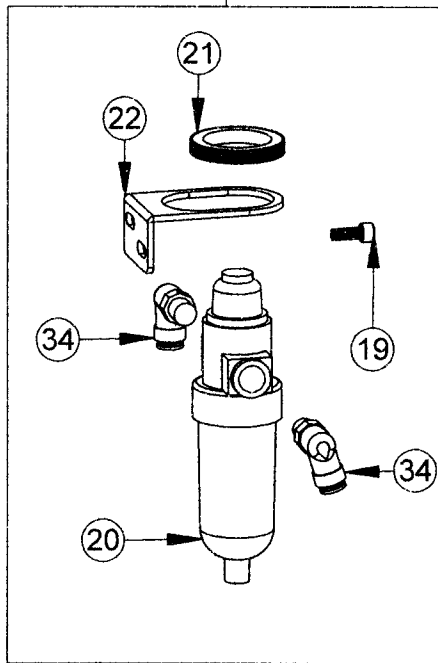
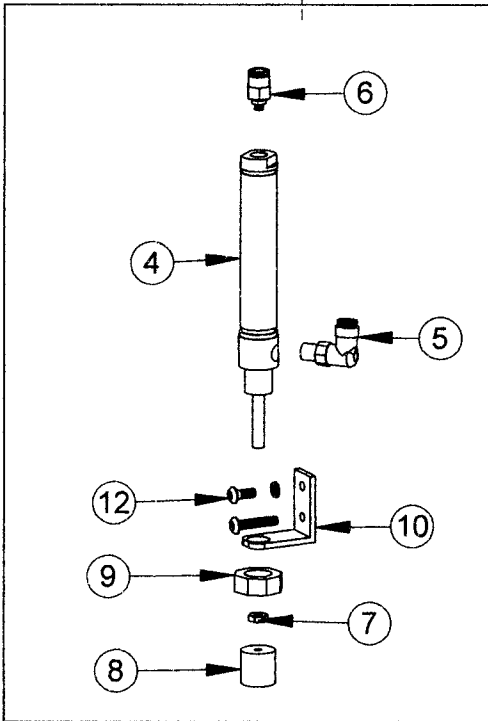
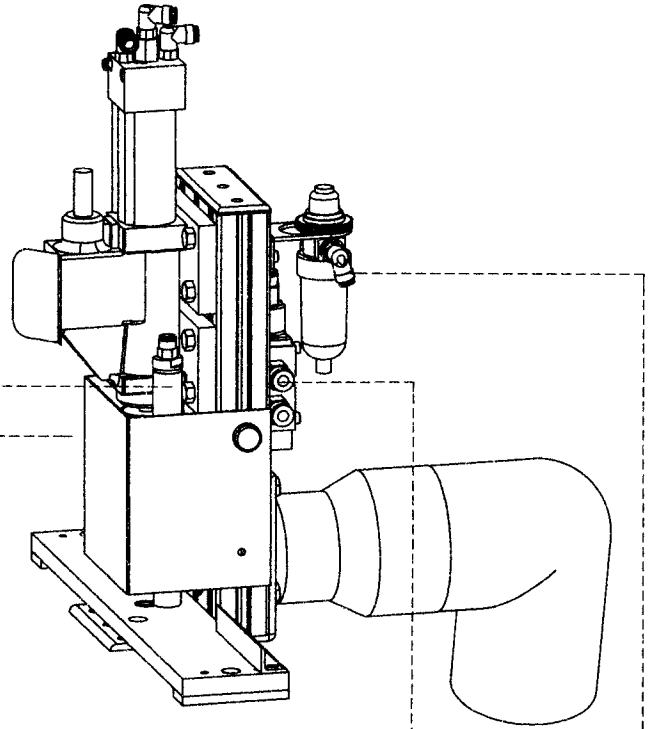


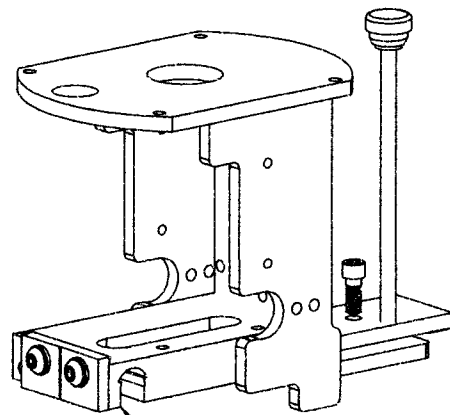
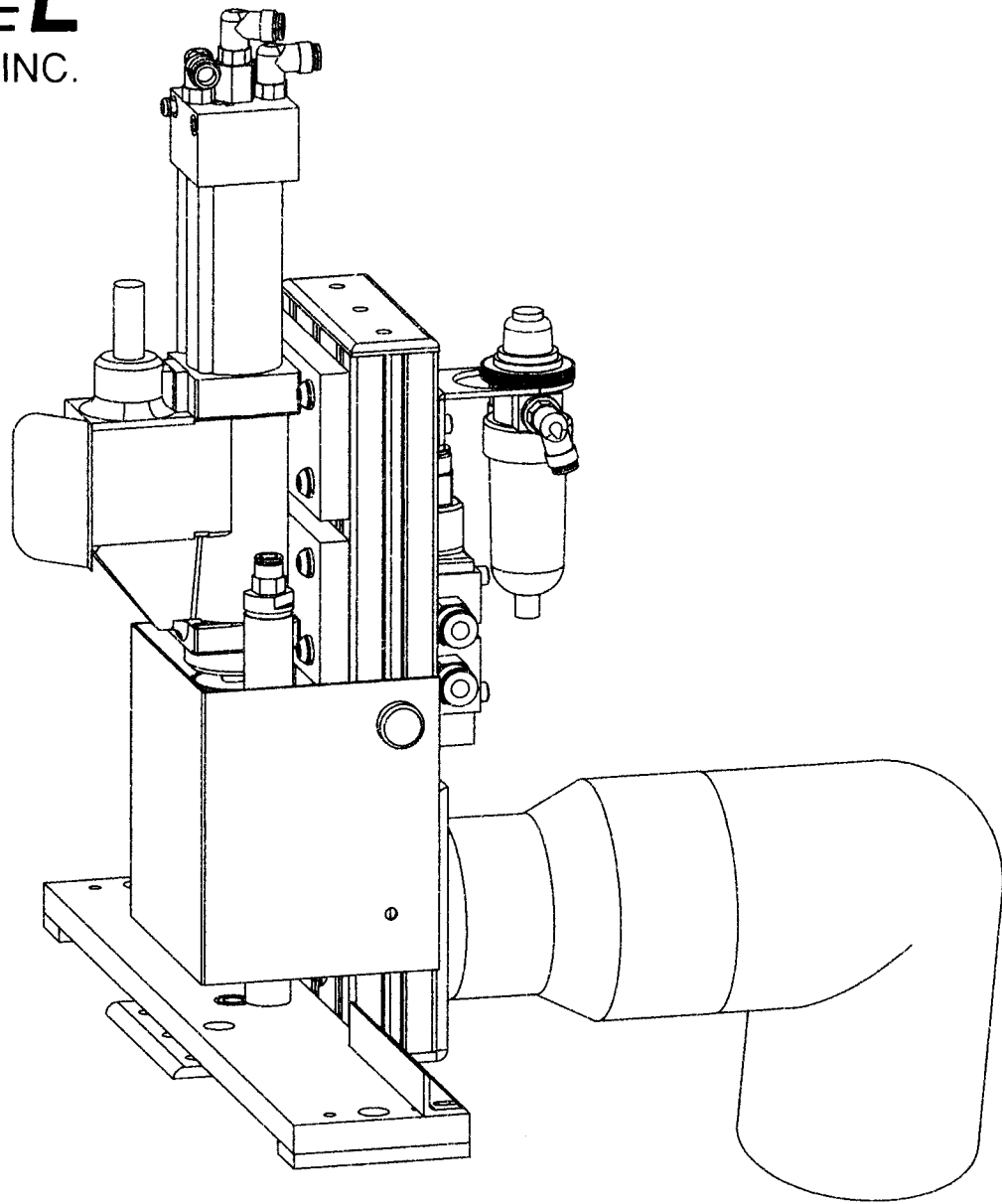
INSTALLATION INSTRUCTIONS AND PARTS CATALOG











OPTION

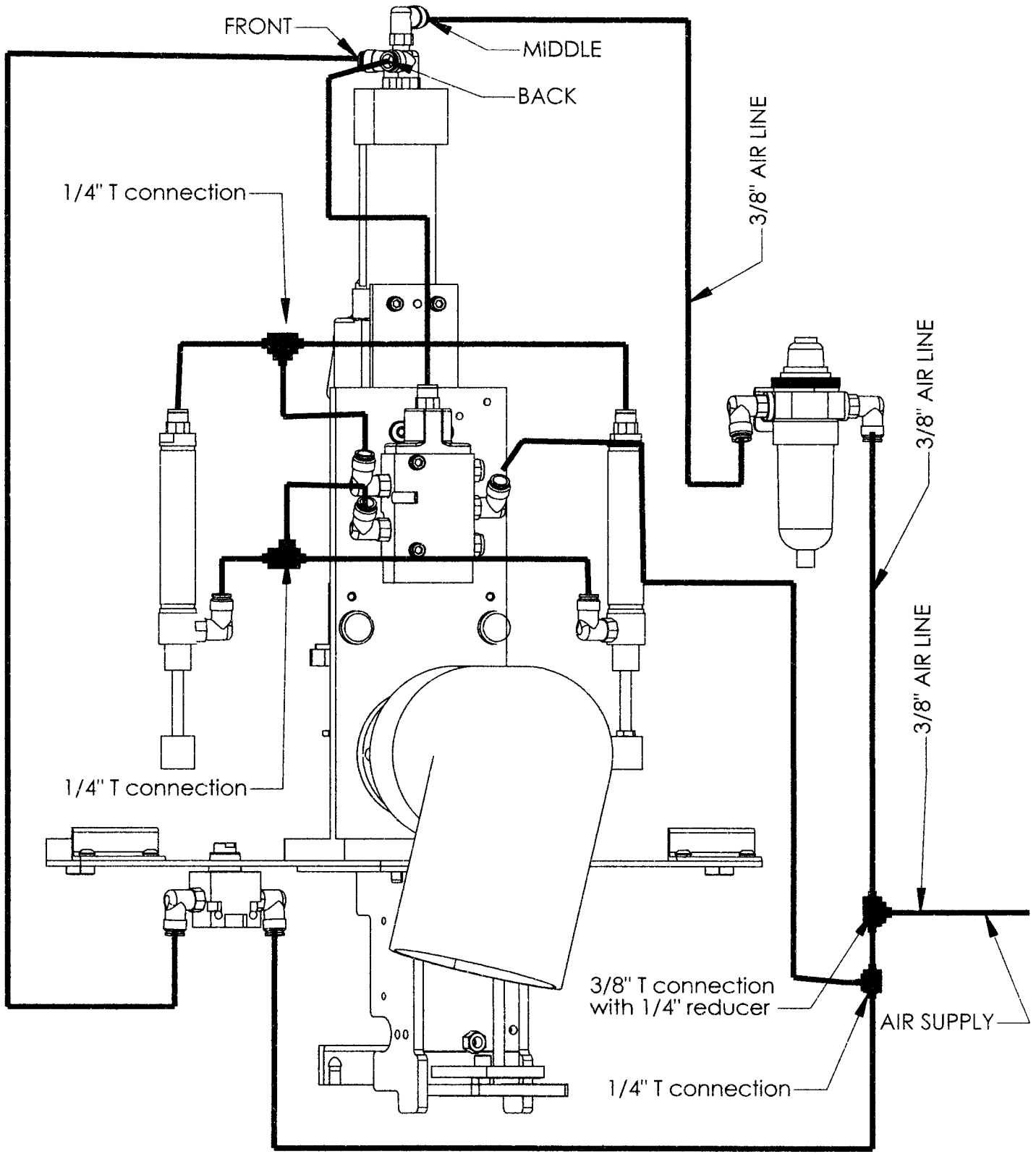
STATION FOR MOUNTING DRILL ON L T L PUNCHING MACHINE

5

PNEUMATIC DRILL PARTS

Item No.	Quantity	Part Number	Description
1	1	1545 18	1 1/2 X 4 1/2 X 18"
2	1	4117	4 1/2" Corner bracket
3	2	PDTS	Mounting plate
4	2	MB0630D	9/16 x 3" Cylinder
5	2	MWW5	10 - 32 x 1/4" Swivel
6	2	MWW8	10 - 32 x 1/4" Straight
7	2	103200JN	10 - 32 Jam nut
8	2	PDLN	Clamping nose
9	2	MB0630D NUT	Nut for MB0630D
10	2	PDCB	Mounting bracket for MB0630D
11	2	252015SH	1/4 - 20 x 1 1/2" SHCS
12	2	103205BH	10 - 32 x 1/2" BHCS
13	1	MWP1	Muffler
14	1	PDDR	Dust ring
15	1	PNEUMATIC DRILL4	CP4 Drill
16	1	MVD1	Piloted valve
17	2	MWS301	Muffler
18	3	MWH2	1/4npt x 3/8" Straight
19	2	103205SH	10 - 32 x 1/2" SHCS
20	1	PD OILER	Oiler
21	1	4200	Mounting nut
22	1	4160	Mounting bracket
23	2	3276	10 - 32 T nut
24	4	3382	1/4" T nut
25	2	103205SS	10 - 32 - 1/2" SHSS
26	2	MCCL	Knob
27	8	3278	5/16 - 18 T nut
28	2	3312	10 - 32 T nut
29	1	PDTTPOLY	Air deflector
30	1	PDBASE	Base plate
31	2	PDFENCE01	Fence
32	1	PDCOVER	Safety cover
33	1	MWV3	Air valve
34	6	MWW2	1/8npt x 1/4" Swivel
35	1	MWV3 BUTTON	Top for valve
36	1	PD REDUCER	3 to 4" Reducer
37	1	PD ELBOW	4" Elbow
38	1	2046	End cap for 1545
39	2	PD TABLE SPC	Table spacer
40	2	103205FH	10 - 32 x 1/2" FHCS
41	1	PD BUSHING	Drill bushing
42	8	311807HH	5/16 - 18 x 3/4" HHCS
43	4	MWF6	1/4npt x 3/8" Swivel
44	2	190005DP	3/16 x 1/2" Dowel pin
45	2	044003SH	4 - 40 x 3/8" SHCS

AIR DIAGRAM



ALL AIR LINE 1/4" UNLESS SPECIFIED