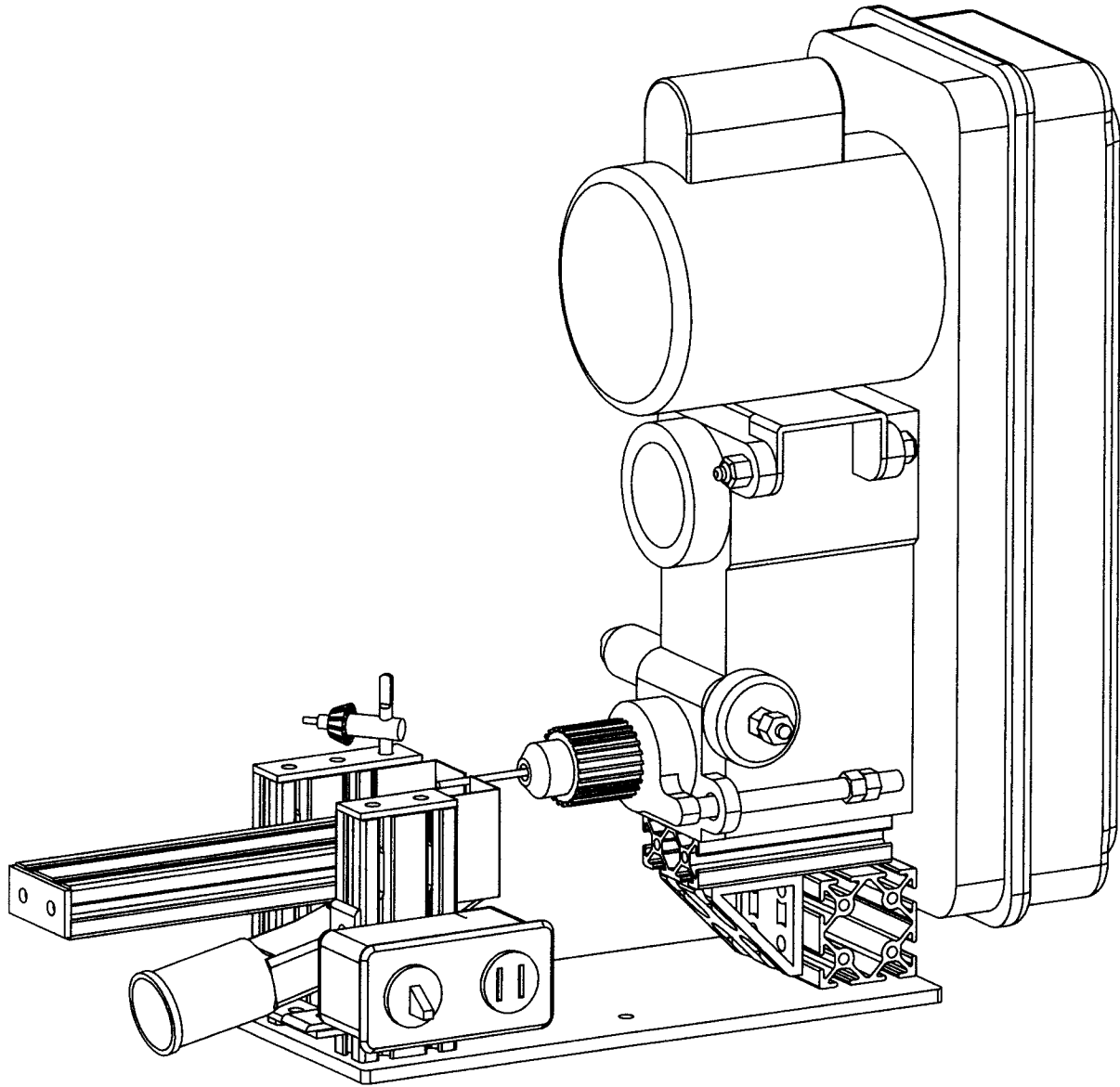
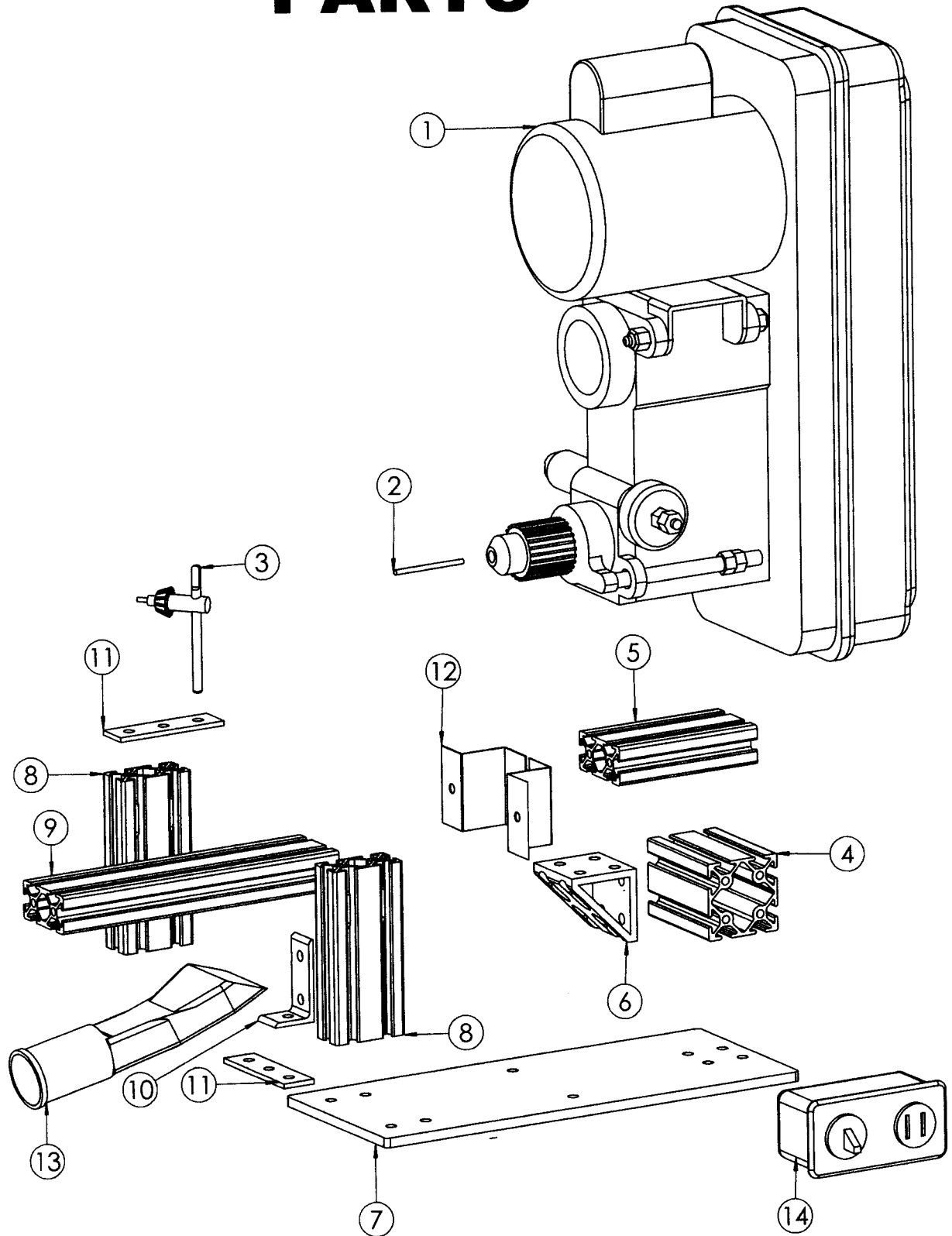


BOTTOM RAIL HOLD DOWN DRILL

PARTS BOOK



PARTS





INTERNATIONAL INC.

PARTS

Item	Qty	Part #	Description
1	1	DRL DRILL	DRILL PRESS
2	1	125BIT	DRILL BIT
3	1	CHUCK KEY	CHUCK KEY
4	1	2020X3IN	2"X2"X3" ALUM BAR
5	1	1020X4	1"X2"X4" ALUM BAR
6	2	4138	ANGLE BRACE
7	1	BRHDBASE	DRILL PRESS BASE
8	2	BRHDSB1020X4.5	1"X2"X4.5" ALUM BAR
9	1	1020X8	1"X2"X8" ALUM BAR
10	1	4176	1" L ANGLE
11	2	4118	3 HOLE STRAP
12	1	BRDDUST	DUST COVER
13	1	BRDDNOSE	VAC END
14	1	PLUG SWITCH ASSY	PLUG SWITCH ASSY

REVISION 1-4-05

E/PARTS BOOK PAGES/BOTTOM RAIL HOLDER DRILL/BILL OF MATERIAL 1-4-05

1115 Explorer St.
Duncanville, TX 75137-3011

E Mail (davidw@ltl-int.com)

Phone (972) 709-7673
Phone (800) 533-3371

Web Site(www.ltl-int.com)

Fax (972) 709-7674
Fax (800) 985-1020