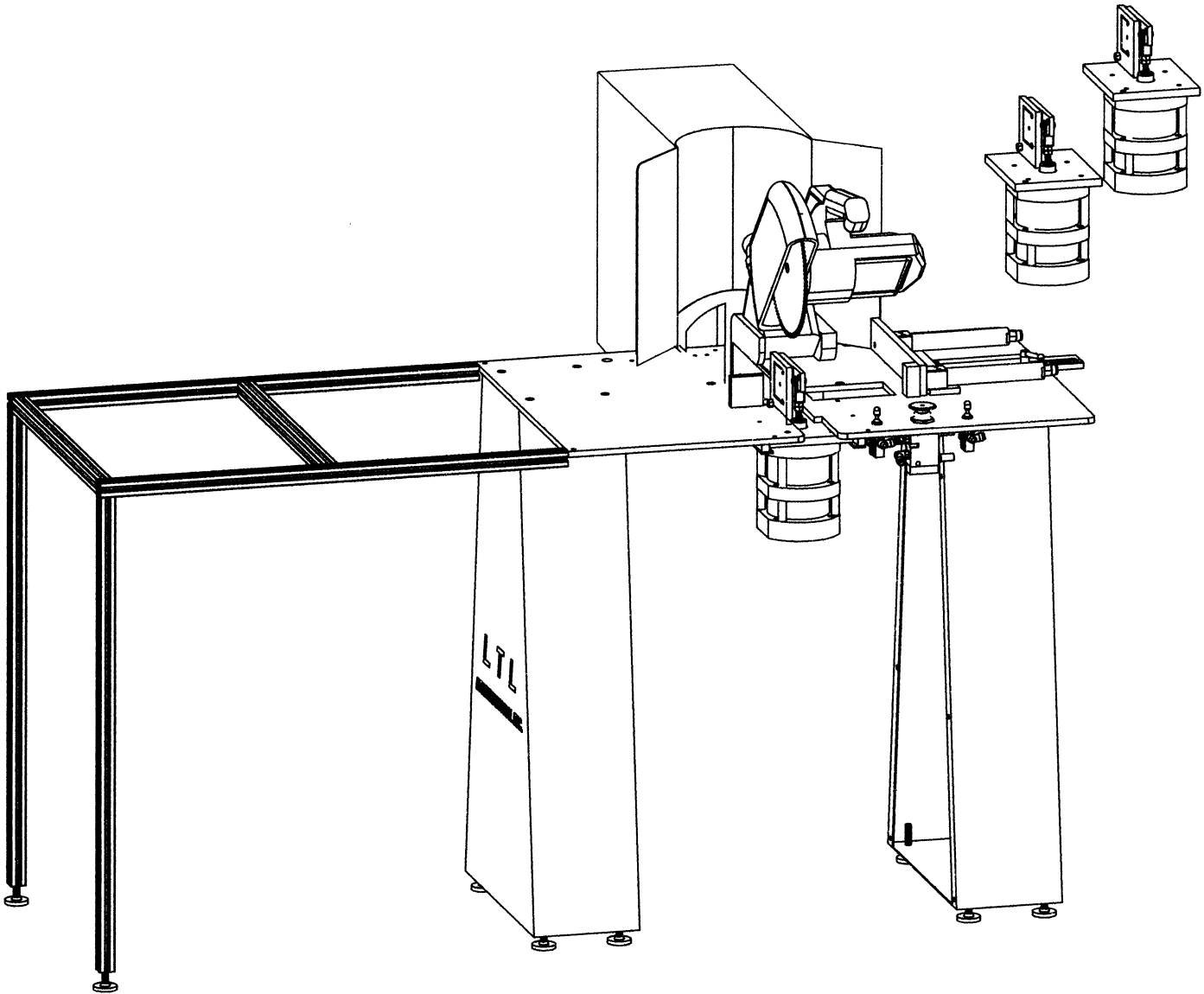
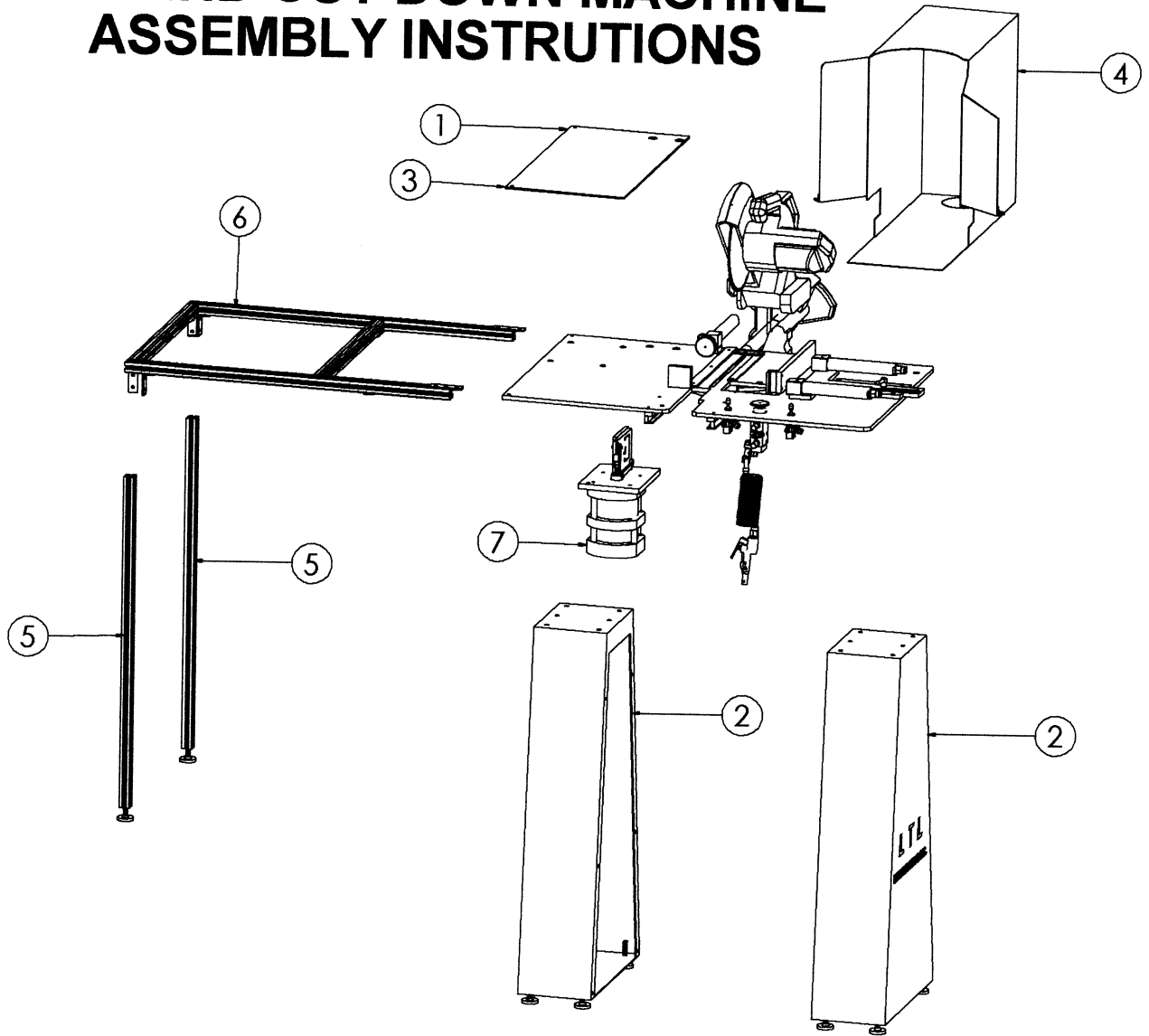


BLIND CUT-DOWN MACHINE



PARTS BOOK

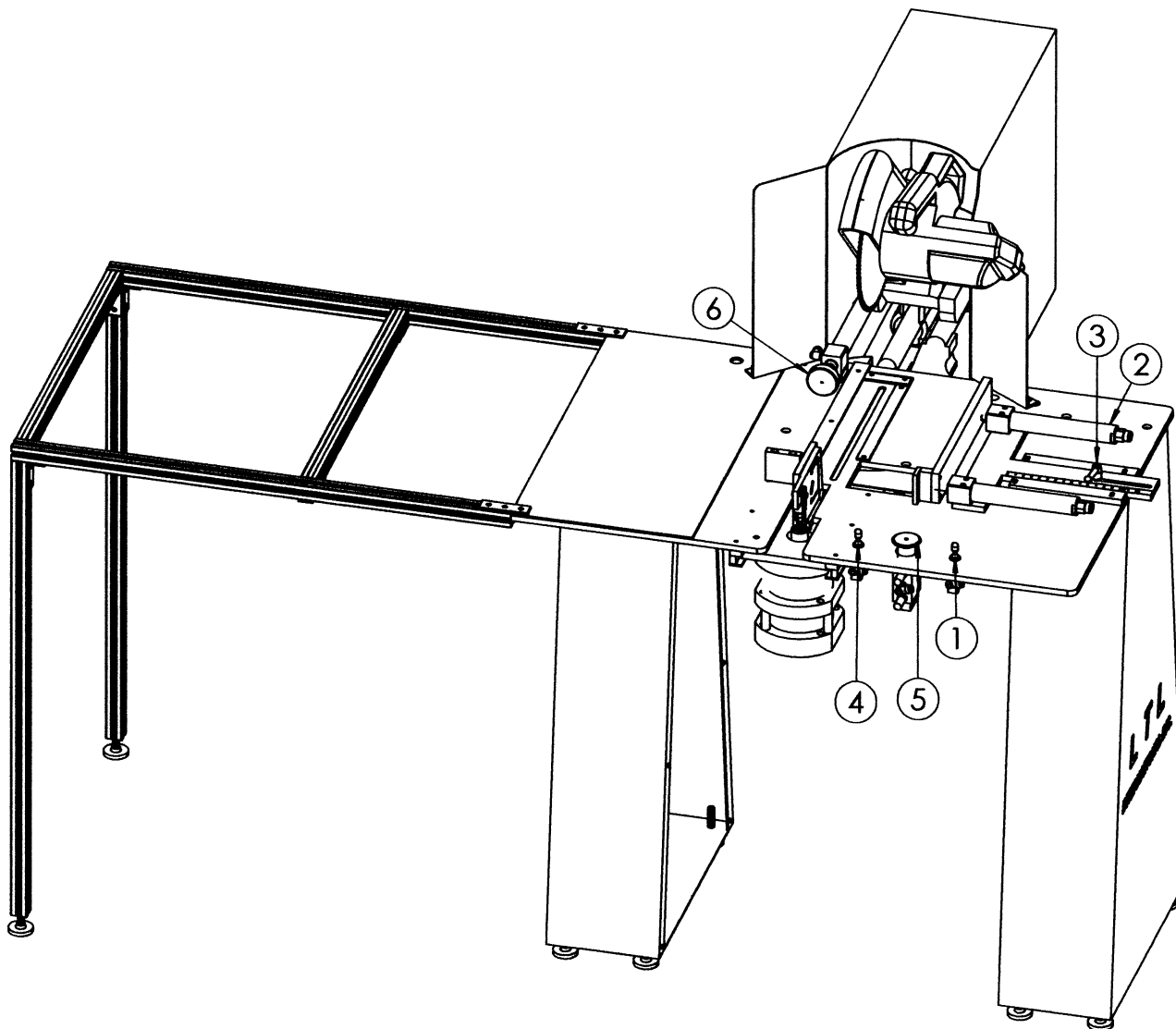
BLIND CUT DOWN MACHINE ASSEMBLY INSTRUCTIONS



- 1= REMOVE COVER FROM PLATE TO EXPOSE PLATE TO LEG BOLTS
- 2= ATTACH BOTH LEGS TO PLATE USING FLAT HEAD BOLTS AND LOCK NUTS
- 3= REATTACH PLATE COVER
- 4= ATTACH DUST BOX TO PLATE USING 10-32 BOLTS
- 5= ATTACH BOTH 1X1 LEGS TO 1X1 TUBING TABLE USING (L) ANGLES MOUNTED TO TABLE
- 6= ATTACH TABLE TO PLATE USING 1/4-20 BOLTS
- 7= SLIDE HEAD RAIL CUT OFF DIE INTO SLOT ON BOTTOM OF PLATE AND DROP IN PULL PIN

(NOTE SOME OF THE ASSEMBLY MAY BE PREASSEMBLED)

OPERATING INSTRUCTIONS



THROW SWITCH #1 TO RETRACT SLAT STOP CYLINDERS #2.

LOOSEN LOCK KNOB #3 ON SLAT STOP BAR AND SLIDE TO DESIRED POSITION FOR CUT

THROW SWITCH #1 TO EXTEND SLAT STOP CYLINDERS #2

SLIDE BLIND INTO CUT OFF DIE AND PUSH SLATS AGAINST STOP BAR

THROW SWITCH #4 TO CLAMP BLIND IN PLACE

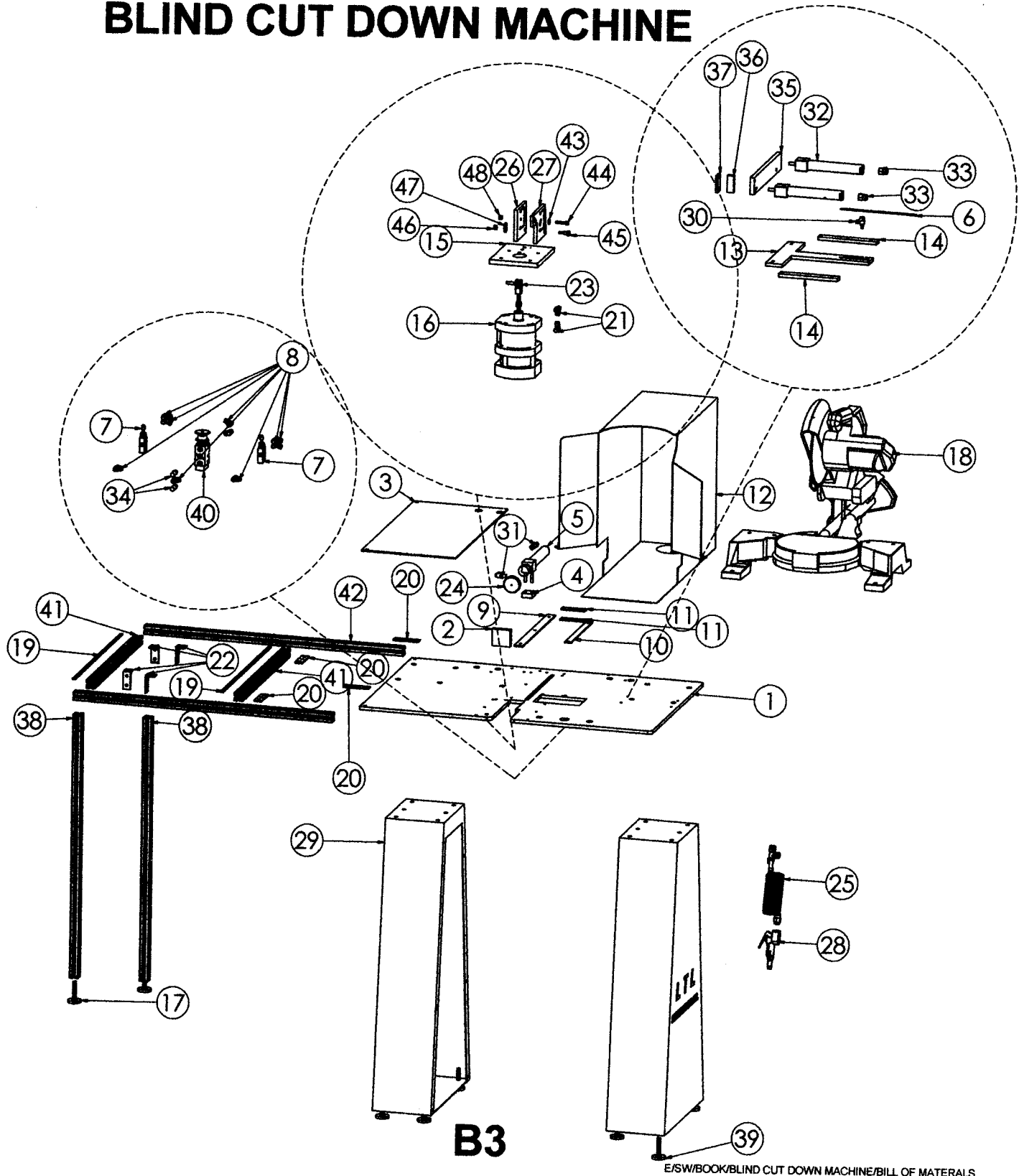
CUT HEAD RAIL USING PALM BUTTON #5

THROW SWITCH #1 TO MOVE STOP OUT OF THE WAY AND REMOVE CUT OFF HEAD RAIL
LEAVE SLAT STOP OUT OF THE WAY FOR CUTTING SLATS

PULL SAW ALL THE WAY OUT THEN CUT DOWN AND IN

THROW SWITCH #4 TO RELEASE CLAMPING CYLINDER # 6 AND REMOVE BLIND

BLIND CUT DOWN MACHINE



REV.11-11-05



INTERNATIONAL INC.

BLIND CUT DOWN MACHINEPARTS

Item #	Quantity	Part #	Description
01	1	BCMPL	PLATE
02	1	BCMFENCE	SLAT FENCE
03	1	BCMPC	PLATE COVER
04	1	BCMCYSP	SLAT HOLDING CYLINDER SPACER
05	1	MB098BF	SLAT HOLDING CYLINDER
06	1	M12TAPER	TAPE MEASURE
07	2	MPVCA9	AIR SWITCH
08	5	MWW5	AIR FITTING
09	1	BCMLDSS	LEFT SIDE OF DEAD SLAT HOLDER
10	1	BCMRDSS	RIGHT SIDE OF DEAD SLAT HOLDER
11	2	BCMBDSS	BACK SIDE OF DEAD SLAT HOLDER
12	1	BCMDC	DUST CABNET
13	1	BCMSLIDE	SLIDE STOP
14	2	BCMSF	SLIDE STOP GUIDES
15	1	BCMCYLBASE	HEAD RAIL DIE BASE
16	1	MB401DE	HEAD RAIL CUT CYLINDER
17	1	8020 2203	1/4-20 THREAD FOOT
18	1	SMS SAW	10" SLIDING MITER SAW
19	2	8020 2114X21	1X1X21" PLASTIC FILLER
20	4	8020 4118	3 HOLE STRAP
21	7	MWW2	AIR FITTING
22	6	8020 4176	ANGLE BRACKETS
23	1	MCC5	CLEVIS
24	1	SAWMB01030B	CYLINDER RUBBER NOSE
25	1	AIR HOSE	BLOW GUN AIR HOSE
26	1	BCMSD	STATIONARY HEAD RAIL DIE
27	1	BCMTD	TILT HEAD RAIL DIE
28	1	BLOW GUN	BLOW GUN
29	2	ML34	LEGS
30	1	MCCC	LOCK KNOB
31	1	MWH6	AIR FITTING
32	2	MB1030	SLAT STOP CYLINDER
33	2	MWH4	AIR FITTING
34	3	MWS301	AIR MUFFLER
35	1	BCMSSB	SLAT STOP
36	1	BCMHSS	HEAD RAIL STOP SPACER
37	1	BCMHRSB	HEAD RAIL STOP
38	2	8020 1010X33	LEG
39	8	ML02	FOOT
40	1	MHRMAC01	PALM BUTTON
41	2	8020 1010X21	1X1X21" ALUM. TUBING
42	4	8020 1010X33	1X1X31" ALUM. TUBING
43	1	BCMHWASHER	1/4" HARDEN WASHER
44	1	252812SH	1/4-20X1.25 SICKET HEAD BOLT
45	1	311875SB	5/16-18X.75 SHOLDER BOLT
46	1	311800LN	5/16-18LOCK NUT
47	1	311800FW	5/16-18 FLAT WASHER
48	1	252800LN	1/4-20 LOCK NUT

B3

REVISION 11-11-05

E/PARTS BOOK PAGES/BLIND CUTDOWN MACHINE/BILL OF MATERIAL

1115 Explorer St.
Duncanville, TX 75137-3011

Phone (972) 709-7673
Phone (800) 533-3371

Fax (972) 709-7674
Fax (800) 985-1020

E Mail (davidw@ltl-int.com)

Web Site(www.ltl-int.com)

