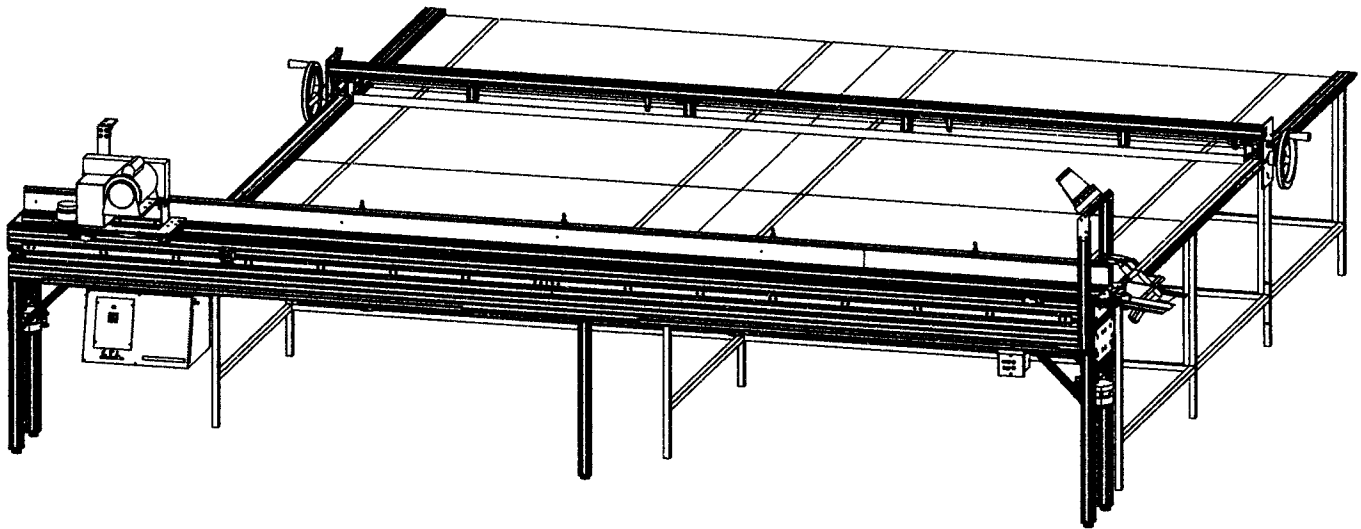
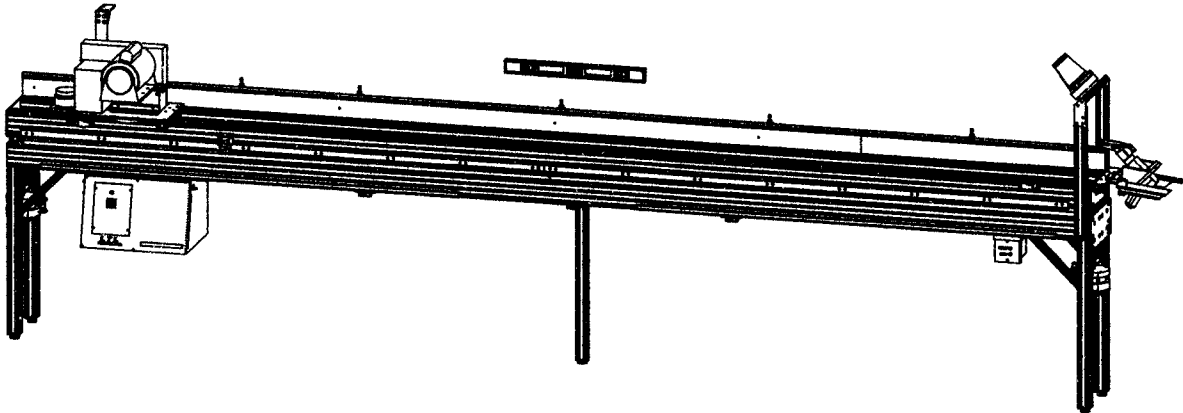


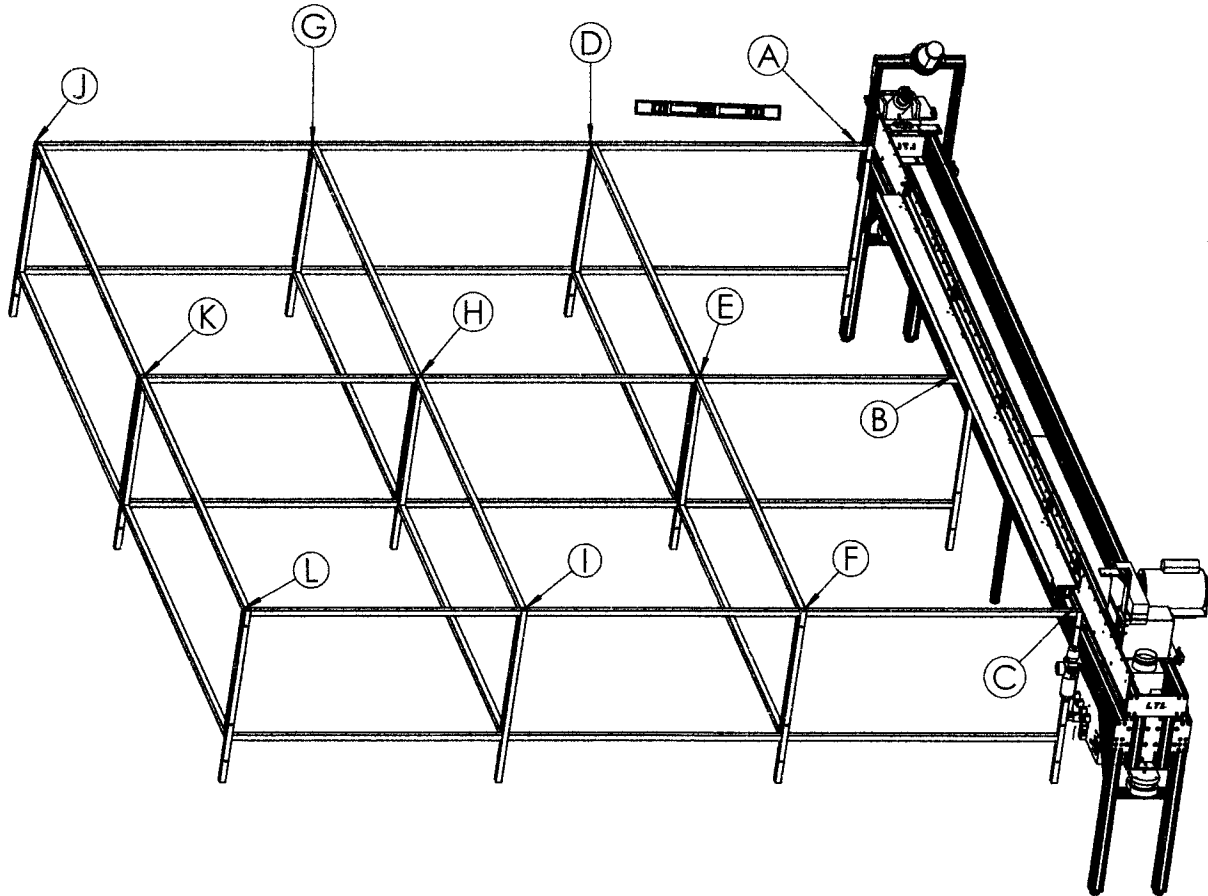
Automatic Bamboo Cutter



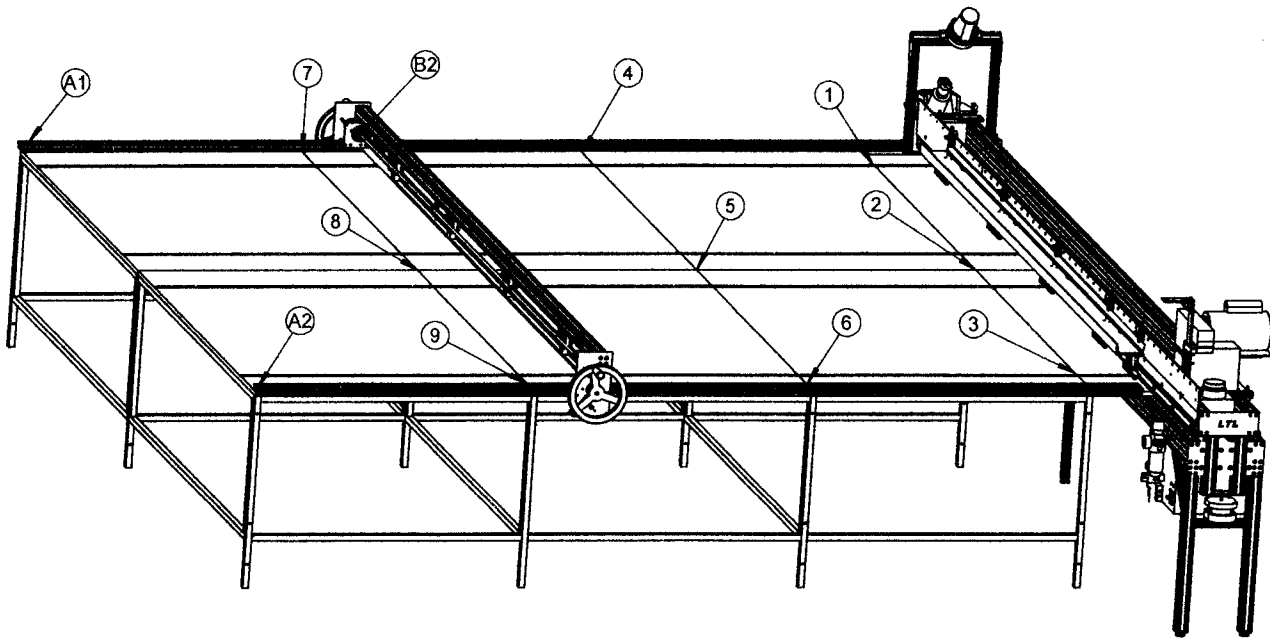
Parts And Instlation



After locating proper location for machine, set front table in location and level side to side and front to back using the adjustable feet on bottom.



Bolt steel section to front table matching A to A and level.
Do the same with B to B and C to C.
Bolt smaller steel sections matching letters.
Make sure all frames have tie down brackets turned to the inside.



Lay melamine on table matching numbers per drawing.

Bolt together with joining straps under table. Bolt to table.

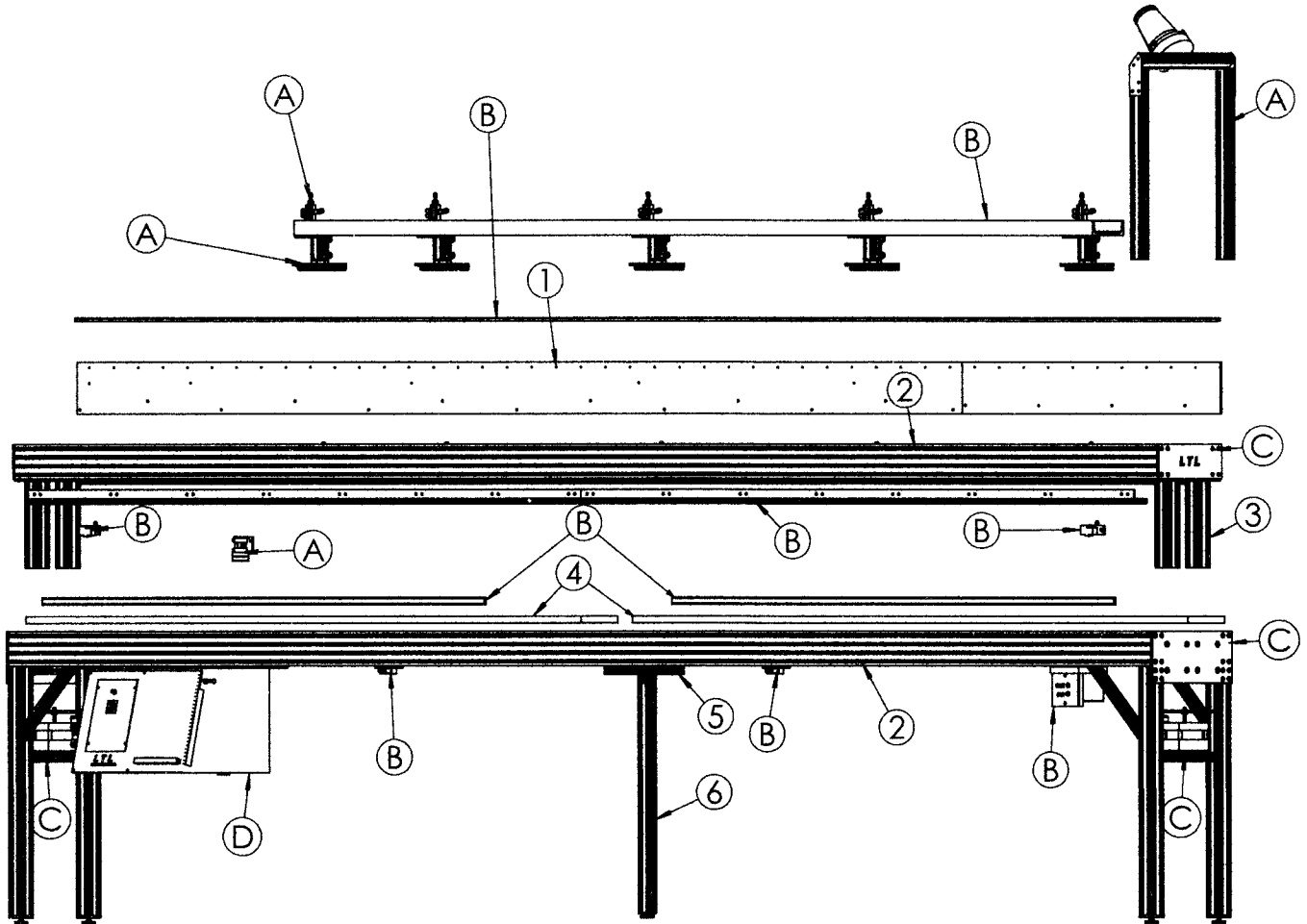
Bolt aluminum with gear rack to edge of table, A1 to A1 and A2 to A2. Make sure rack is on the outside of table.

Crank straight edge to C channel on opposite side of table. Make sure you are straight with C channel. If not loosen adjustment joint marked B2 and square straight edge.

Attach air and electric lines. Make a test cut to see if straight edge is square. If not repeat squaring process.

Move straight edge approximately 2 ft. from cut and make a cut. Measure material and attach all tape measures to table in the grooves.

A3



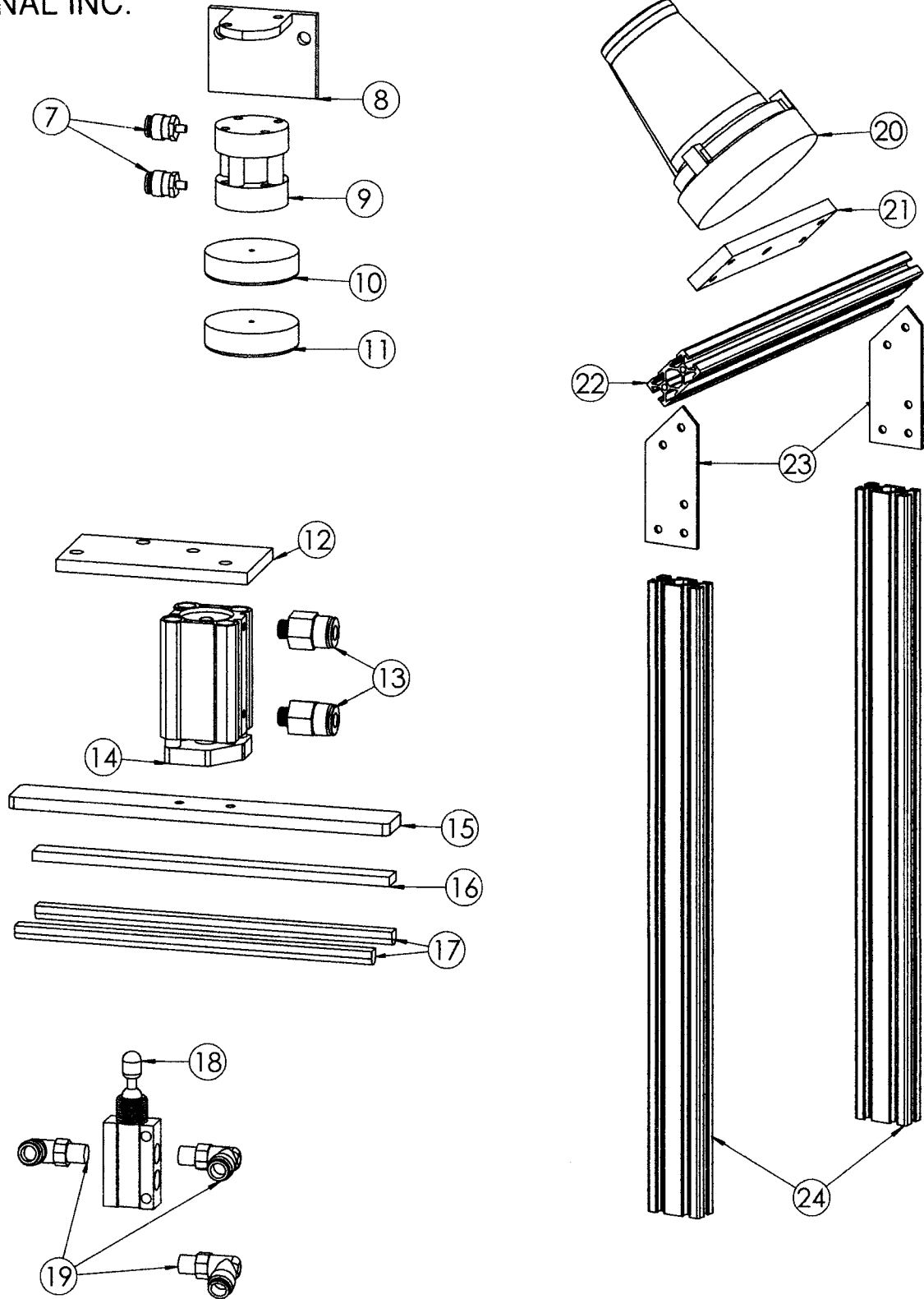
A= PAGE 2
 B= PAGE 3
 C= PAGE 4
 D= PAGE 7

B1

BAM PARTS

Item #	Part #	Description
1	BAM RACK PLATE	Mounting plate for rack
2	2040x186	8020 2" x 4" x 186"
3	2020x10.5	8020 2" x 2" x 10.5"
4	BAM TOP FRONT	Spacer for BAM RACK
5	1020x11	8020 1" x 2" x 11"

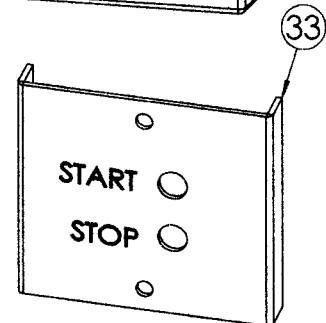
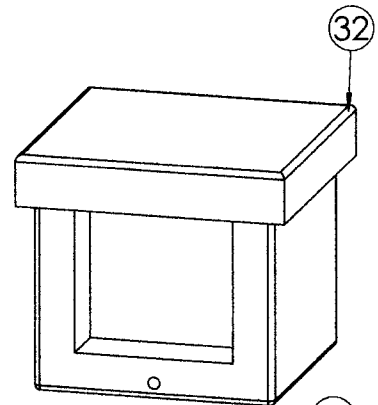
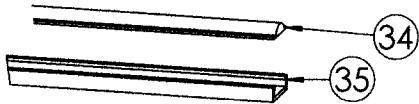
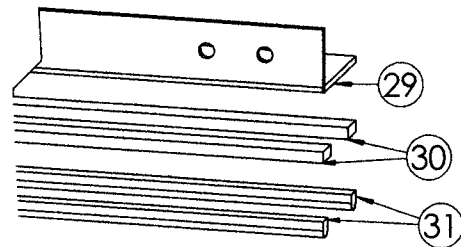
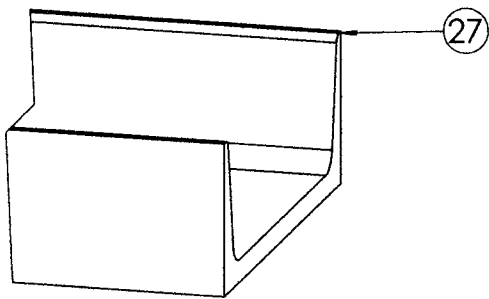
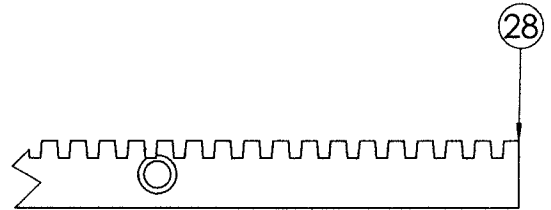
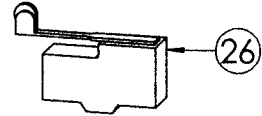
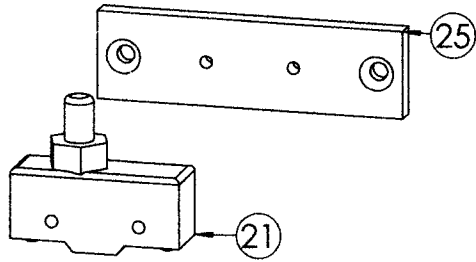
B1



B2

BAM PARTS

Item#	Part #	Description
6	1020x27.75	8020 1" x 2" x 27.75"
7	MWW8	Air fitting 10-32 x 1/4" straight
8	BAMLOCK CYLLANG	"L" Angle for front side pre-clamp
9	MB075	Pre-clamp cylinder
10	SHB4	Nylon clamp
11	SHB4 NOSE	Rubber nose for SHB4
12	BAM V PLATE	Pre-clamp mount
13	MWW8	Air fitting 10-32 x 1/4" straight
14	MB2540NR	Non rotating cylinder
15	BAM CLAMP FOOT	Pre-clamp foot
16	BAM RUBBER FOOT	Rubber for pre-clamp foot
17	BAM STRIP	"D" foam for pre-clamp
18	MPVCA9	5-Way air switch
19	MWW5	Air fitting 10-32 x 1/4" 90 deg
20	BAM LASER	Laser
21	AWCES01	Switch
22	8020 1020 15	8020 1" X 2" X 15"
23	BAM LASER BKT	Side brackets for laser
24	8020 1020 22	8020 1" X 2" X 22"



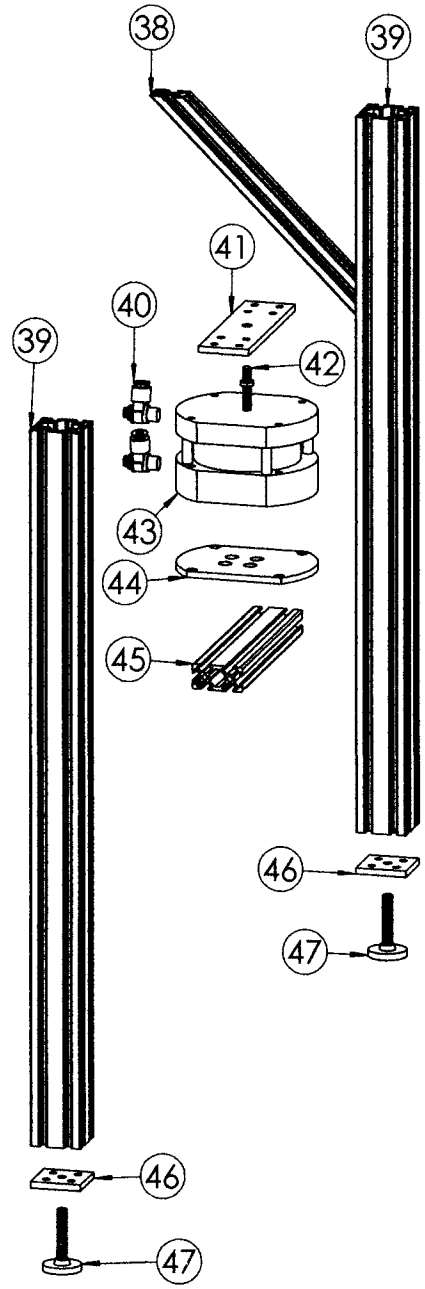
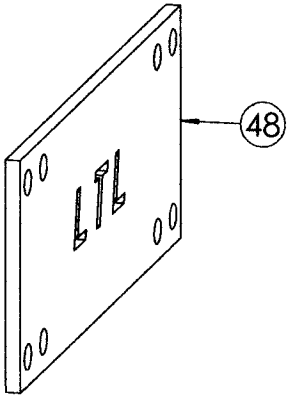
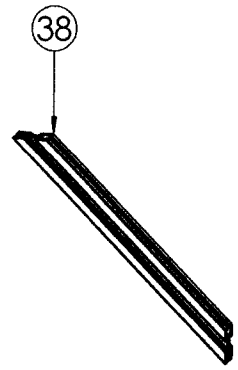
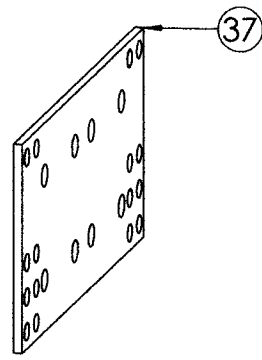
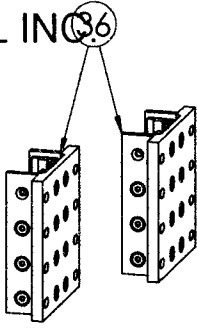
B3

BAM PARTS

Item #	Part #	Description
1	BAM RACK PLATE	Mounting plate for rack
25	BAM SWITCH MNT	Mounting bracket for AWCES01
26	AWCES02	Roller switch
27	BAM CHANNEL	2" x 3" x 3/16" Aluminum "L" angle
28	BAM RACK	Rack 4'
29	BAM PAD90	"L" Angle for clamp
30	BAM RUBBER FOOT	Rubber for clamp
31	BAM STRIP	"D" foam for clamp
32	BAM S BOX	4" x 4" x 4" Box
33	BAM S BOX LID	Cover for BAM S BOX
34	RIBBON 6E	6' Ribbon switch
35	RIBBON-T	6' Track



INTERNATIONAL INC



B4

rev.3-11-08

sw/book/bambo cutter/page 4

1115 Explorer St.
Duncanville, TX 75137-3011

Phone (972) 709-7673
Phone (800) 533-3371

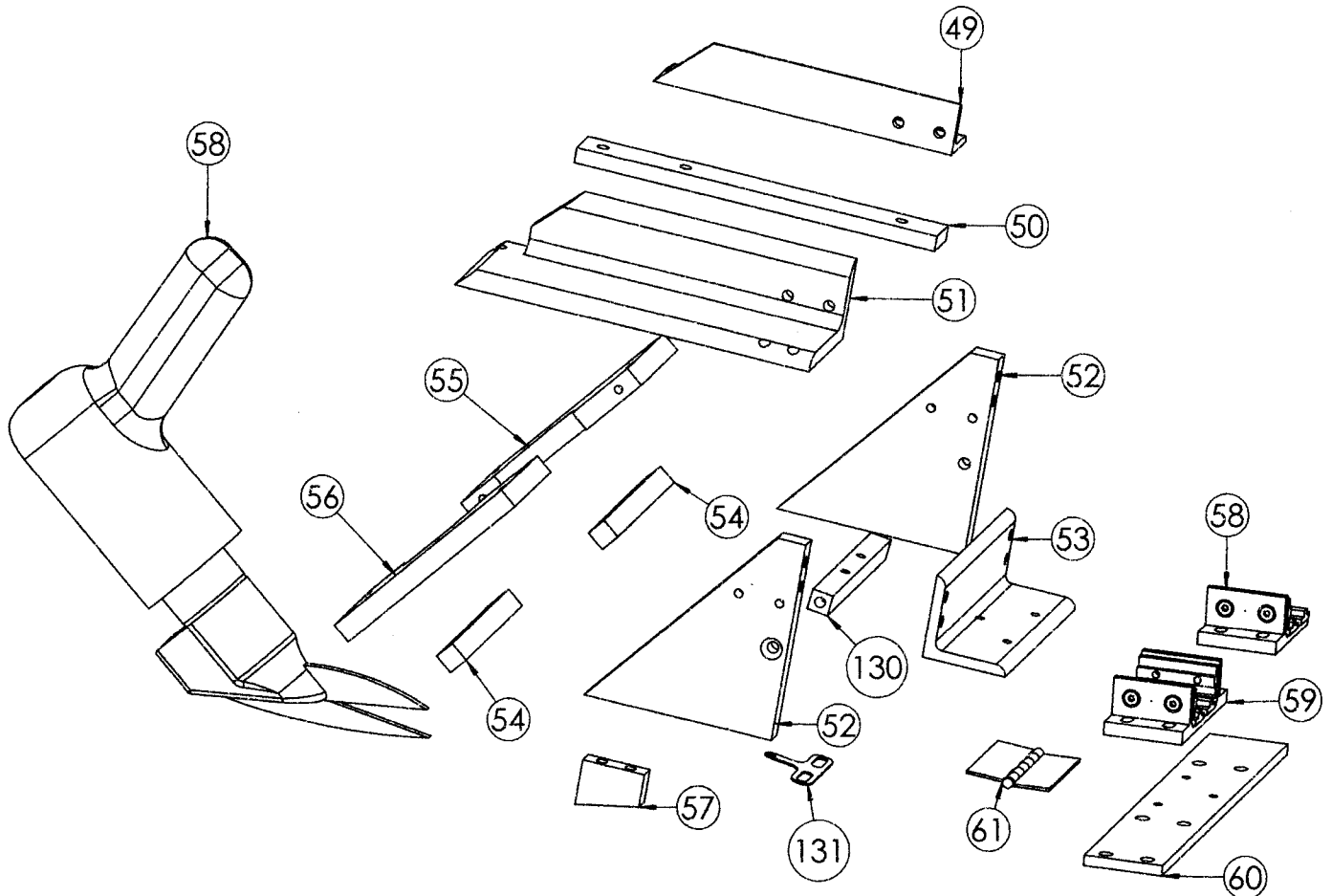
Fax (972) 709-7674
Fax (800) 985-1020

E Mail (davidw@ltl-int.com)

Web Site(www.ltl-int.com)

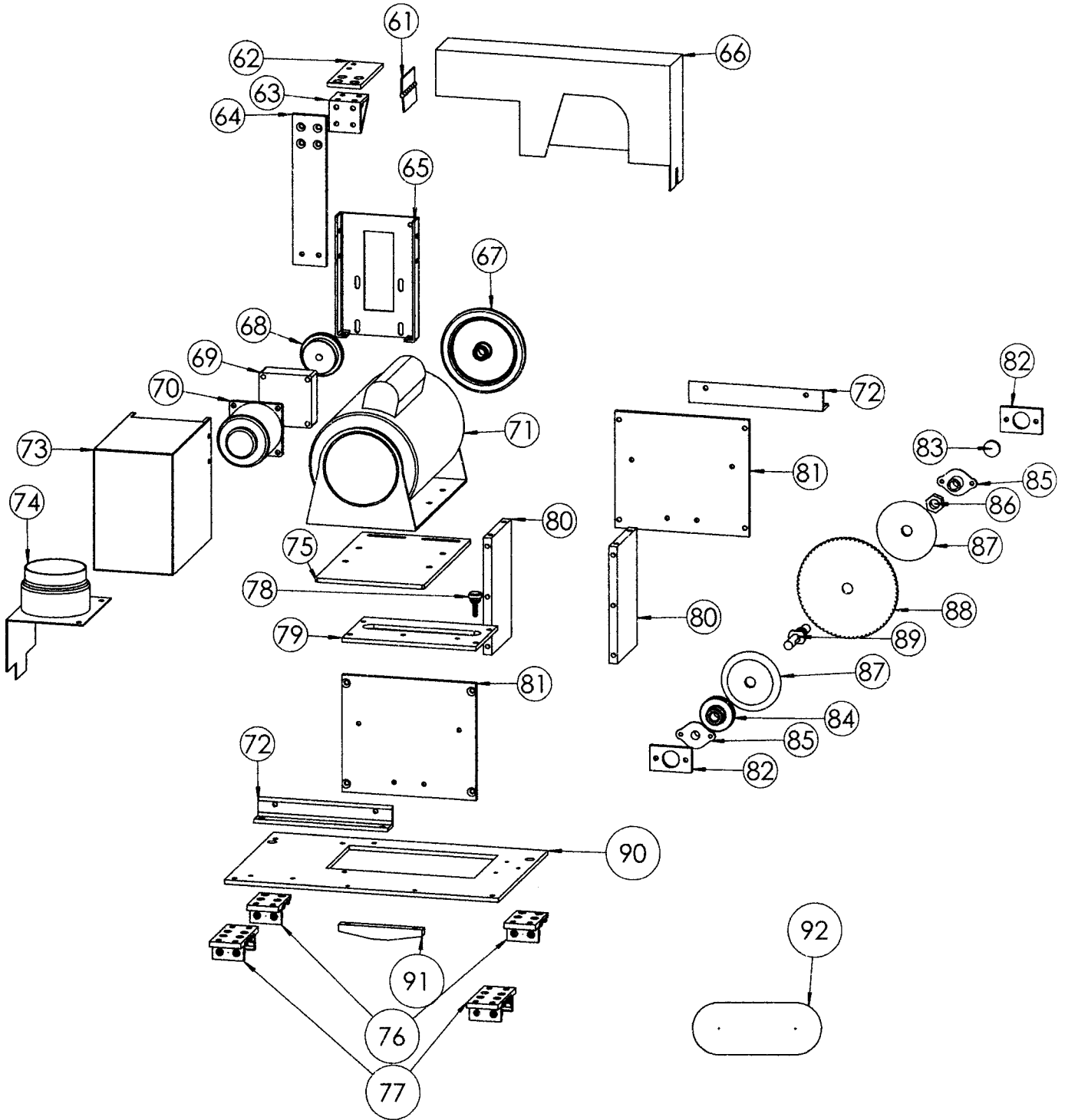
BAM PARTS

Item #	Part #	Description
36	8020 6724	4" Bearing
37	BAM TBL PL	End plate for fixed table
38	8020 2570	12" 8020 Gusset
39	8020 2020 28.75	2" x 2" x 28.75"
40	MBFC 14	Flow control 1/4" NPT
41	BAM CYL MNT B	Top cylinder mount
42	312420SS	5/16 x 24 x 2" Set screw
43	MB4075F	4" Bore x 3/4" stroke cylinder
44	BAM CYL MNT	Bottom cylinder mount
45	8020 1020 10	1" x 2" x 10"
46	RAMFOOTBRKT	Plate for adjustable foot
47	ML02	Foot
48	BAM END CAP	End plate for clamp table



BAM PARTS

Item #	Part #	Description
48	BAM END CAP	End plate for clamp table
49	BAM L BKT	"L" Bracket for shears
50	BAMSH SPCR	Spacer for shears
51	BAMSH HINGE MNT	Guide for shears
52	BAMSH SIDE	Side for shear mount
53	BAMSH HINGE PL	Mount for hinge
54	BAMSH SPR	Spacer for shear
55	BAMSH MOUNT A	Side clamp "A"
56	BAMSH MOUNT B	Side clamp "B"
57	BAMSH SWITCK BKT	Switch bracket for shears
58	8020 6723 MOD	2" Bearing modified
59	8020 6723	2" Bearing
60	BAMSH HINGE MNT	Mount for hinge bracket
61	BAM HINGE	Hinge
130	BAMSH M	Mount for nose bracket
131	BAMSH NOSE BOLT	Nose bracket

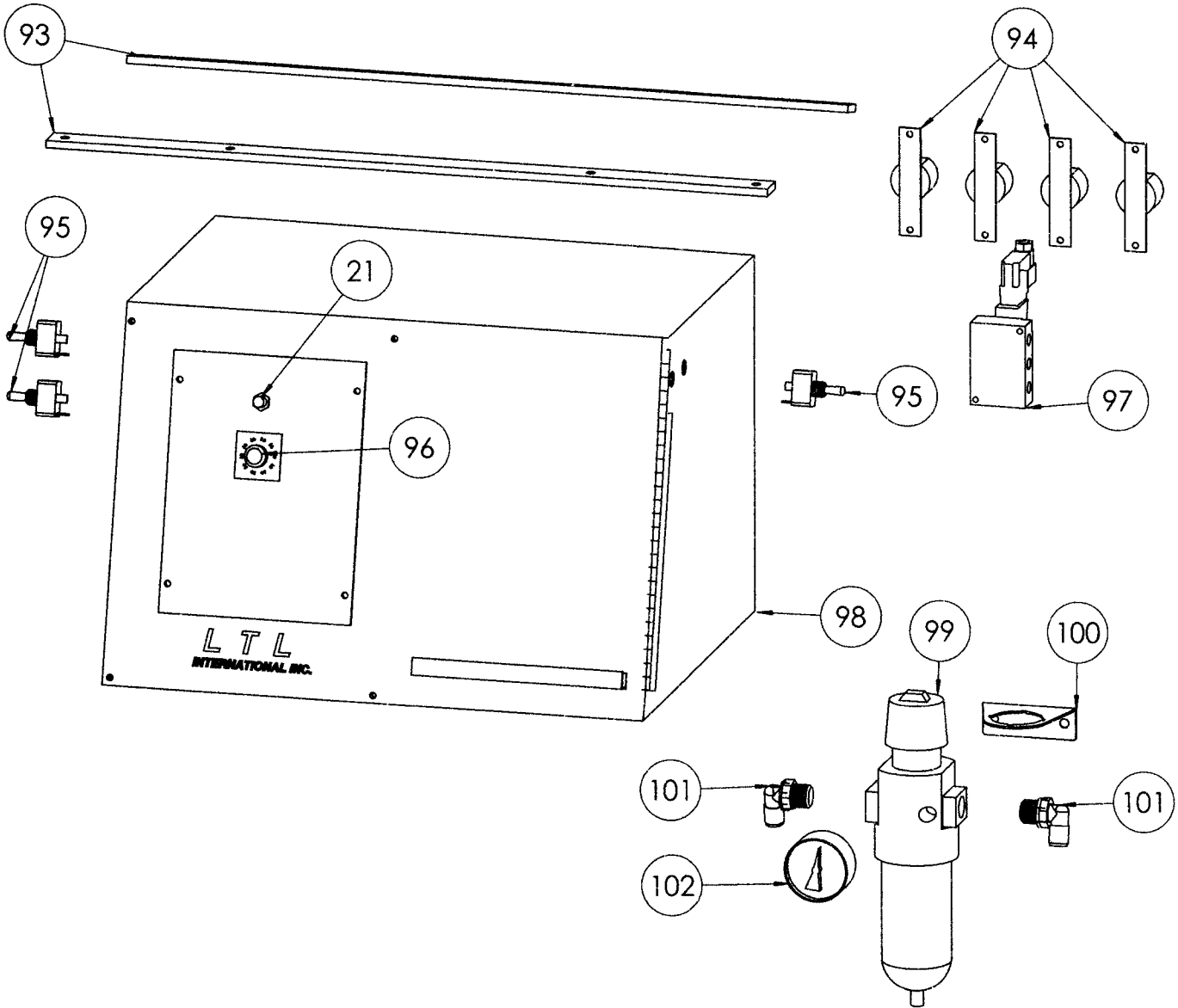


B6

BAM PARTS

Item #	Part #	Description
62	BAM CBL TOP	Top for cable mount
63	8020 4138	2" x 2" x 2" Gusset bracket
64	BAM BBL SIDE	Side for cable mount
65	AWG1B	Motor mount
66	BAM BELT COV	Belt cover
67	BAM MOTOR PULLEY	Pulley for blade motor
68	BAM PINION	Pinion gear
69	BAM GEARHEAD	Gearhead 36:1
70	AWC1A	Feed motor
71	BAM MOTOR	Blade motor 1/2 hp 110v
72	BAM MOTOR L	"L" Bracket for blade motor
73	AWG2B	Motor cover
74	BAM DUST TOP	Top dust hose attachment
75	BAM BL MOTOR PL	Plate for blade motor
76	8020 6723 MOD	2" Bearing modified
77	8020 6723	2" Bearing
78	MCCD	1/4 - 20 Lock knob
79	BAM BL BOX TOP	Blade box top
80	BAM BL BOX END	Blade box end
81	BAM BL BOX SIDE	Blade box side
82	BAM BL SPCR	Blade box spacer
83	BAM SHAFT SPCR	Shaft spacer
84	BAM PULLEY SHAFT	Pulley for blade shaft
85	BAM BRG 3	Bearing
86	BAM BLADE NUT	Nut
87	BAM BLADE STIFF	Blade stiffener
88	BAM BLADE 70	Blade
89	BAM BLADE SHAFT	Blade shaft
90	BAM TBL PL	Slide plate for blade box
91	BAM SWITCH RAMP	Switch ramp
92	BAM BELT 30	30" Drive belt

B6

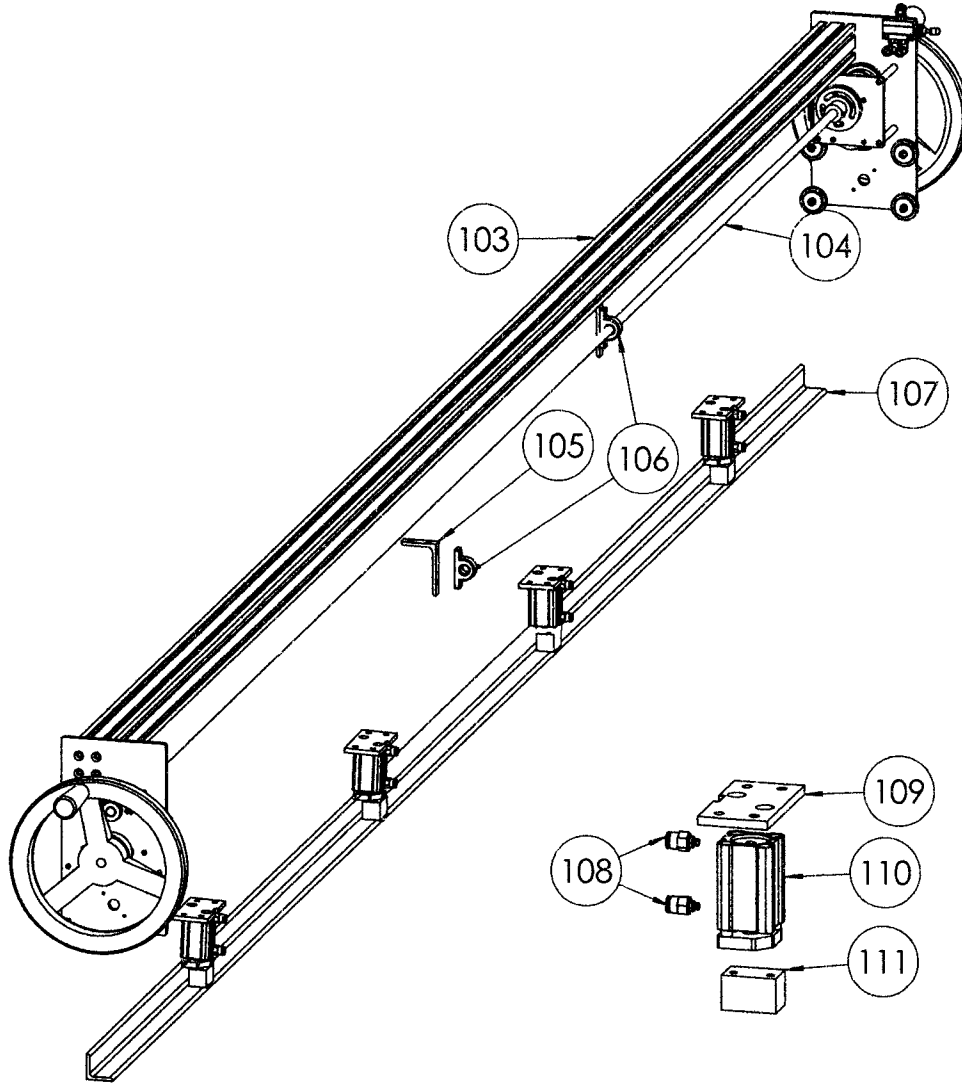




INTERNATIONAL INC.

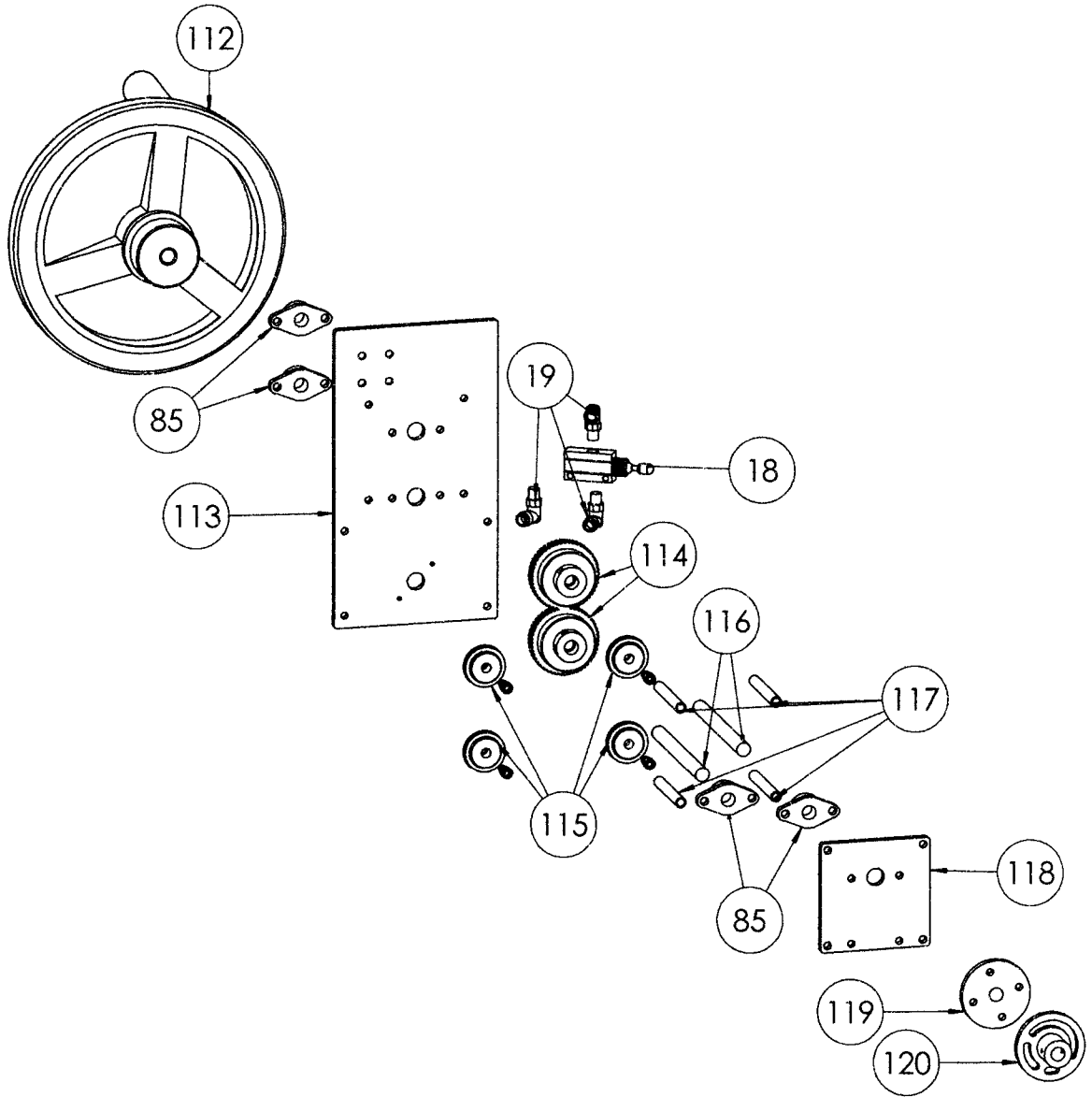
BAM PARTS

Item #	Part #	Description
93	BAM BRAIN MOUNT	Brackets for controller mount
94	BAM CLAMP FOOT	Pre-clamp foot
95	AWC19	On / Off switch
96	AWC55	Speed pot for AWC1A
97	BAM VALVE	Air valve
98	SAWBRAINBOX	Control cabinet (empty)
99	MA0301	Filter / Regulator
100	MA0301BKT	Mounting bracket for MA0301
101	MA06	Fitting
102	MA04	Gauge



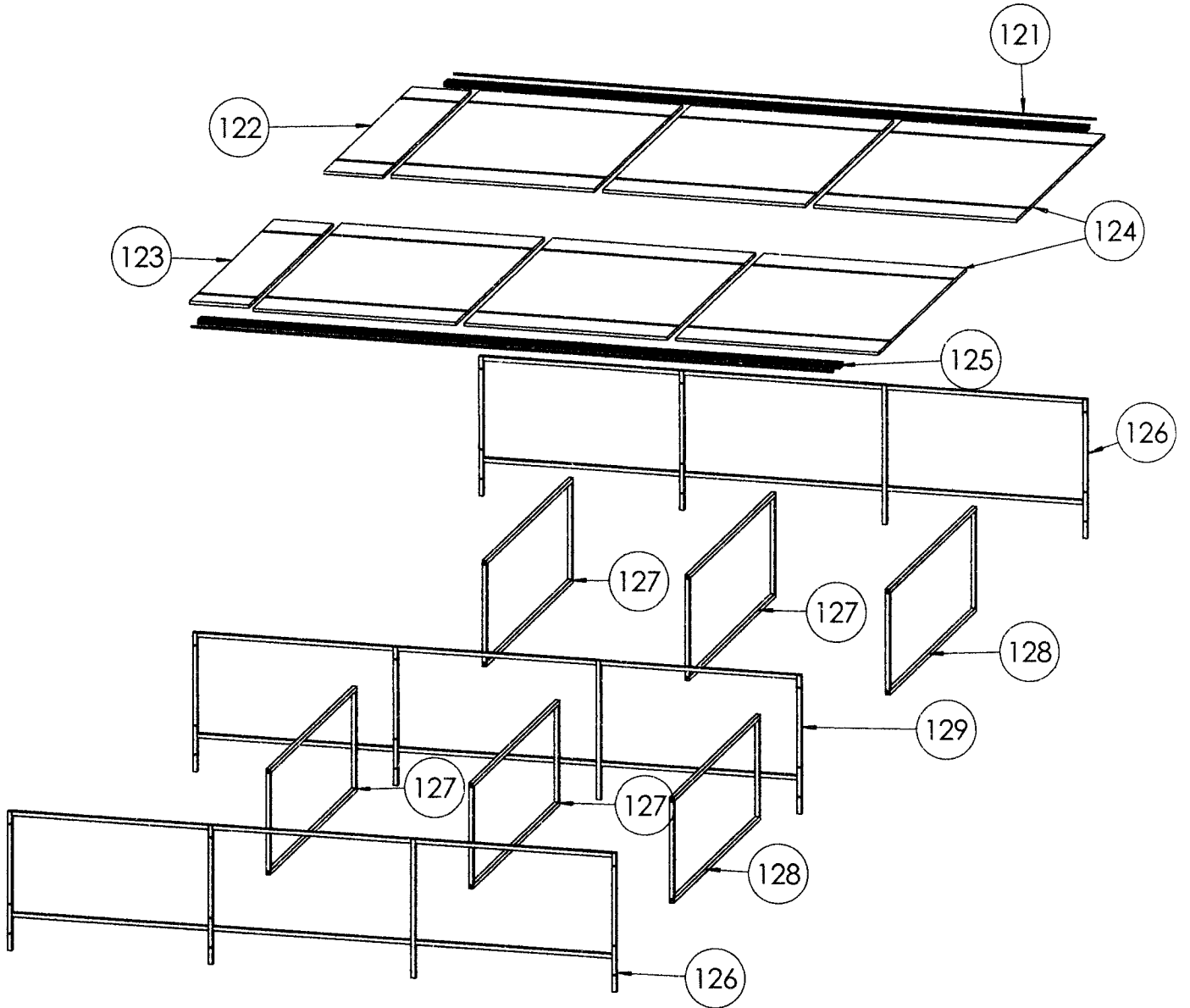
BAM PARTS

Item #	Part #	Description
103	8020 2020 160.875	2" x 2" x 160.875"
104	BAM COG BAR	1/2" OD Steel bar
105	8020 4417	2" x 2" "L" Bracket
106	BAM BRG 2	Pillow block bearing
107	BAM MATERIAL BUMP	1 1/2" x 1 1/2" Material bump
108	MWW8	10-32 x 1/4" Straight fitting
109	BAM COG MNT	Cylinder mount for material bump
110	MB2540NR	Non rotating cylinder
111	BAM COG MNT SPC	Spacer for MB2540NR



BAM PARTS

Item #	Part #	Description
112	BAM HANDLE	10" Handle
113	BAM SQ PLATE	Large side plate for COG
114	BAM PINION	Pinion gear
115	8020 2281	Wheel
116	MHOW01	Spacer 3.125"
117	MHOW01 MOD	Spacer 1.000"
118	BAM SQ BACK	Small side plate for COG
119	BAM COG A	Tapped indexing guide
120	BAM COG B	Slotted indexing guide



B10

REV.3-12-08

sw/book/bambo cutter/page 10

1115 Explorer St.
Duncanville, TX 75137-3011

Phone (972) 709-7673
Phone (800) 533-3371

Fax (972) 709-7674
Fax (800) 985-1020

E Mail (davidw@ltl-int.com)

Web Site(www.ltl-int.com)

BAM PARTS

Item #	Part #	Description
121	BAM RACK	4' Rack
122	BAM TABLE TOP	Table top
123	BAM TABLE TOP R	Table top
124	BAM TABLE TOP L	Table top
125	8020 1020 152	1" x 2" x 152"
126	BAM TABLE SIDE	Frame
127	BAM TABLE MIDDLE	Frame
128	BAM TABLE END	Frame
129	BAM TABLE CENTER	Frame