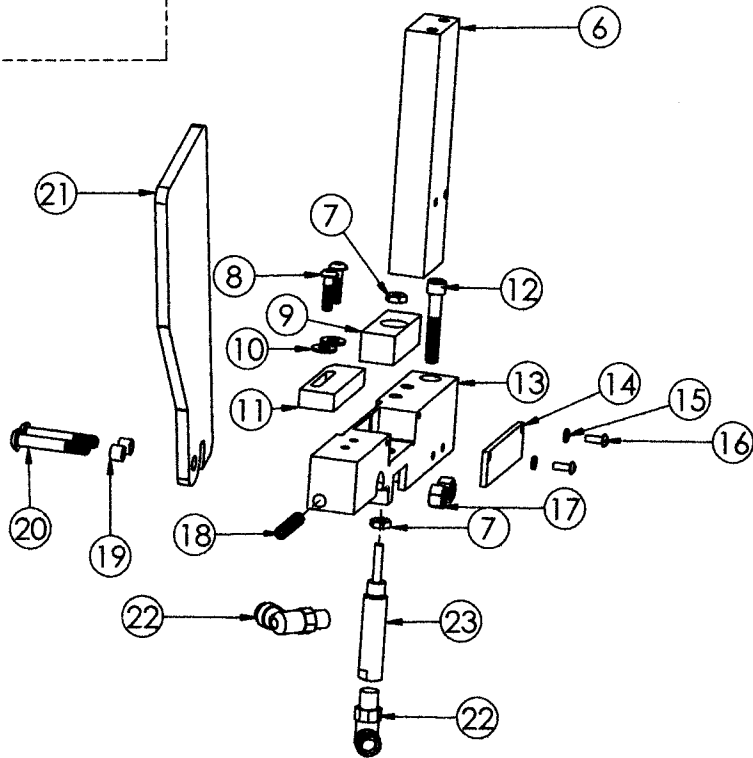
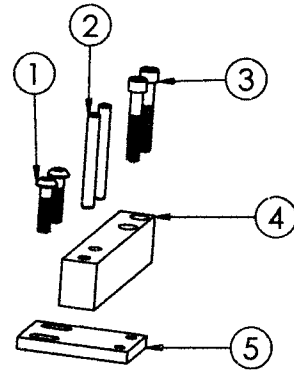
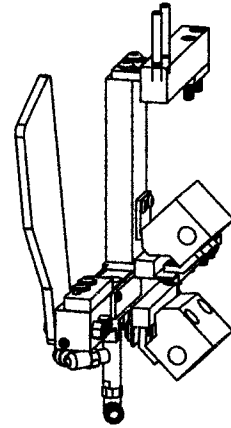
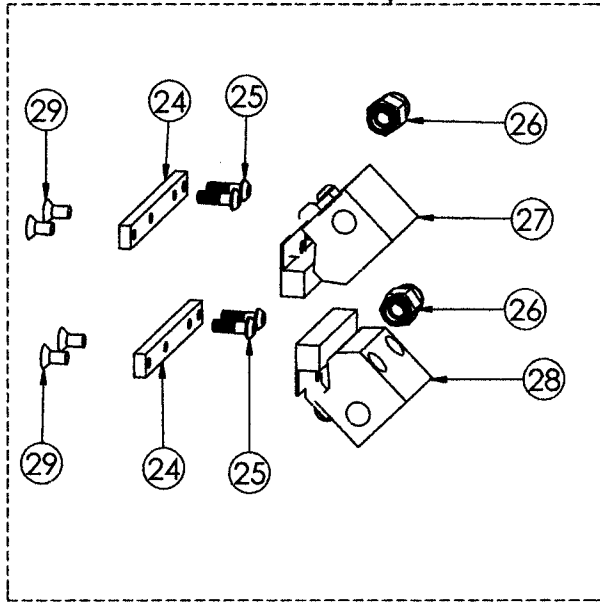


BUMP STOP

OPTIONAL DE-IONIZER



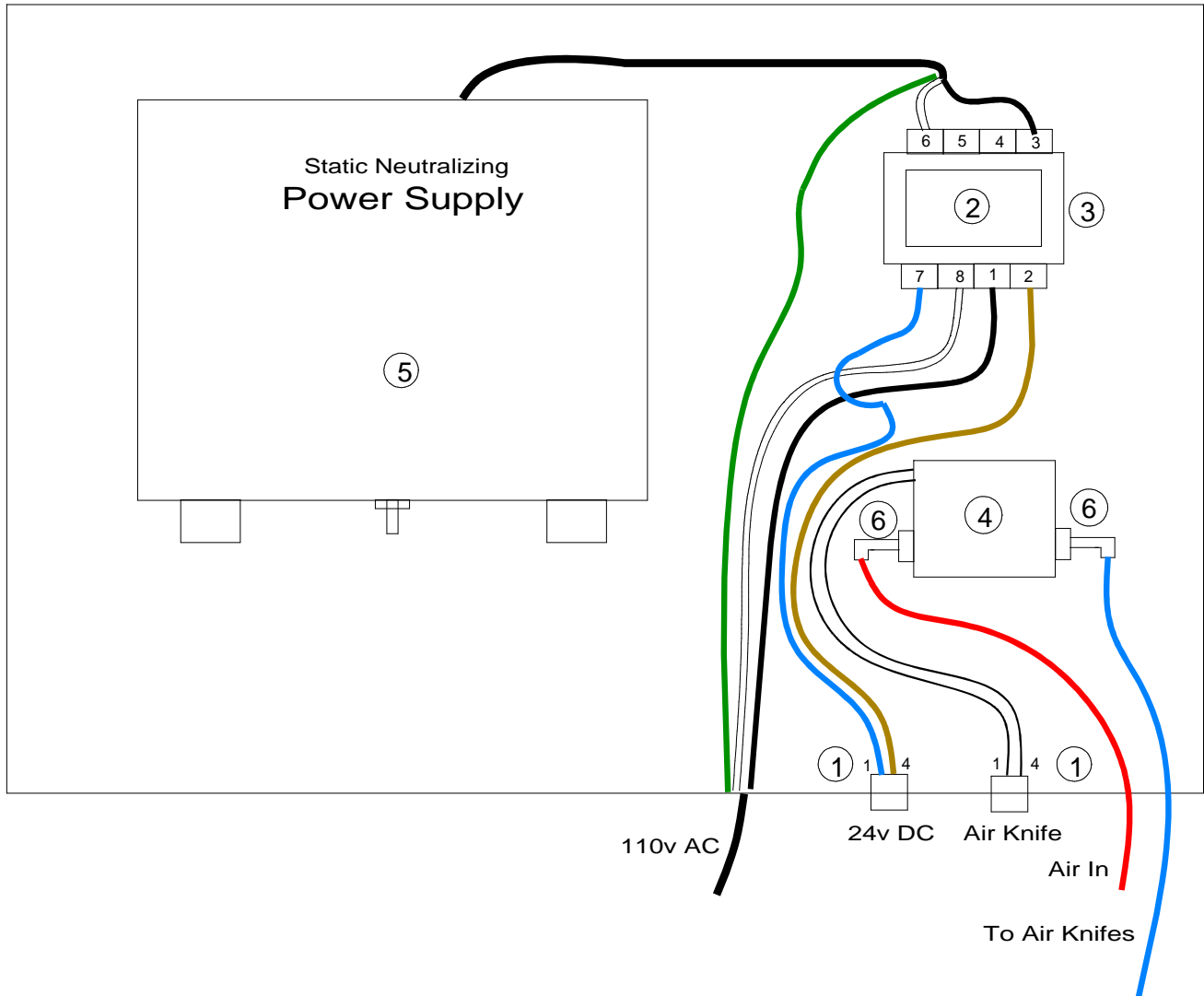
B6

BUMP STOP

Item No.	Quantity	Part Number	Description
Item #	Quantity	Part #	Description
01	2	252006BH	1/4-20 x 5/8" Button head
02	2	250015DP	1/4" Dowel pin
03	2	252012SH	1/4-20 x 1 1/4" Socket head
04	1	MW40HBS01	HR Index top
05	1	MW40HBM01	HR Index adjustment bracket
06	1	MW40HBS302	HR Index upright
07	1	103200JN	#10-32 Jam nut
08	2	103207BH	#10-32 x 3/4" Button head
09	1	MW402B03	Bump stop
10	2	100000FW	#10 Flat washer
11	1	MW40G02	Slat width guide
12	1	252015SH	1/4-20 x 1 1/2" Socket head
13	1	MW402END06	Base for bump stop assembly
14	1	MW40ENDS01	Plate for bump stop
15	2	060000LW	#6 Lock washer
16	2	063205BH	#6-32 x 1/2" Button head
17	2	252000NT	1/4-20 Machine nut
18	1	252807SS	1/4-28 x 3/4" Set screw
19	2	MHOOB1	Bushing
20	2	252015BH	1/4-20 x 1 1/2" Button head
21	1	AWE1B01	Slat stop
22	2	MWW2	#10-32 x 1/4" Swivel fitting
23	1	MB0405D	Bump stop cylinder
24	2	AIRKBBKT	Air knife bracket
25	4	103205BH	#10-32 x 1/2" Button Head
26	2	MWW4	1/4" npt x 1/4" Straight fitting
27	1	MW2IAK	Top air knife
28	1	MW2IAKB	Bottom air knife
29	2	103205FH	#10-32 x 1/2" Flat head

B6

Control Box Air Knives



ITEM	QUAN.	PART NUMBER	DESCRIPTION
1	2	AWC13	Elect Socket 24v
2	1	AWCR	Relay
3	1	AWCRS	Relay Base
4	1	MAC3524	Valve 24v
5	1	MWDIAKPS	Power Supply
6	2	MWW2	90deg. Fitting 1/8"npt x 1/4" tube