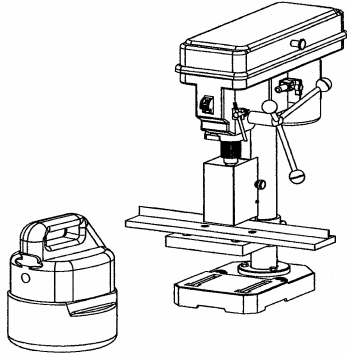




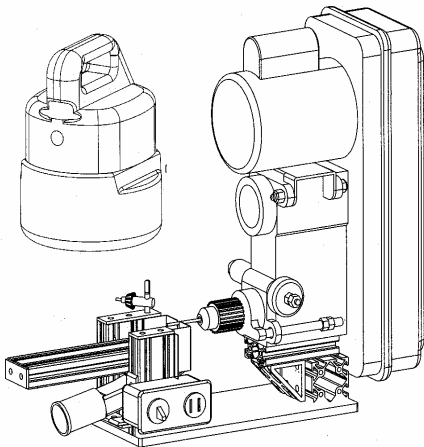
INTERNATIONAL INC.



Bottom Rail Drill

- 1/3 Horsepower drill press
- 2.2 Gallon vacuum w/hose
- Clear safety shield
- Adjustable fence for centering

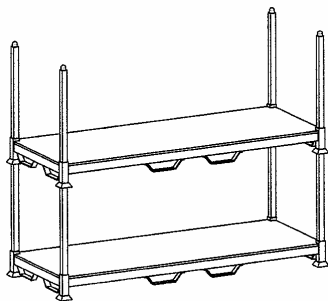
\$ 398.00



Hold-Down Drill

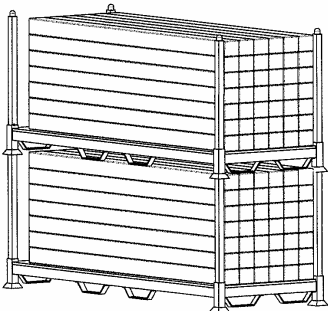
- 1/3 Horsepower drill
- 2.2 Gallon vacuum w/hose
- Clear safety shield
- Adjustable fence for centering

\$ 398.00



Stackable Slat Shelving

- Designed for 9' PVC slat
- Forklift accessible from ends and sides
- Engineered to stack up to 6 units high
- Holds up to 3500 lbs per unit
- Removable uprights for easy loading and empty storage
- Decked with 1/2" plywood
- Each unit weighs less than 200 lbs



**42" Wide
108" Long**

	1—9	\$ 545.00
	10—24	\$ 515.00
	25—49	\$ 480.00
	50—up	\$ 470.00
W/ 36" Uprights		
W/ 21" Uprights		
W/ 12" Uprights		
	Less \$ 10.00 per unit	
	Less \$ 20.00 per unit	