



INTERNATIONAL INC.

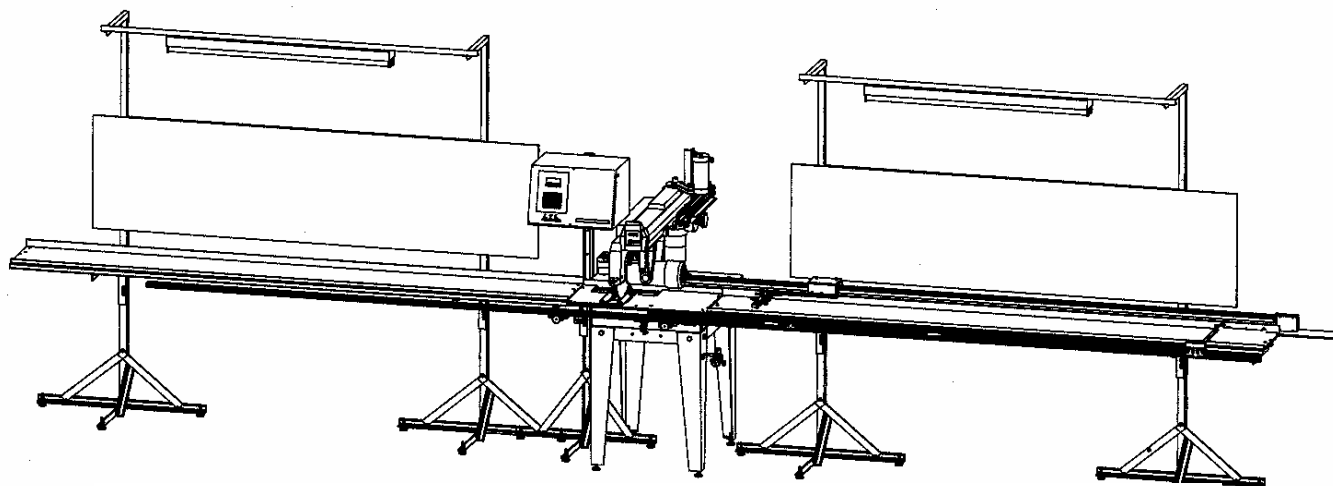
FULLY AUTOMATIC SAW TABLE

STANDARD FEATURES:

- 4 hp 14" OMGA tm* Radial Arm Saw
- Dual Encoder Automatic Cut-off Gauge
- 10' Feed and Exit Tables
- 2 Position Air Cylinder for Valance
- Industrial Grade Dust Collector

FAST

- Overhead Fluorescent Lighting
- Fully Adjustable Indexing Gauge
- Overload Protection for Saw
- Cantilevered Storage System
- Pneumatic Material Clamps
- Fast-acting Blade Brake



Model pictured with optional CSAW and Computerized System

**2 Position cylinder automatically sets valance at 3/8" (IB),
or 9" for up to 2 1/2" returns**

Options:

CSAW Valance Return Miter Saw	\$1,420.00
Additional Dust Collector for CSAW	\$390.00
Air / Oil Safety System	\$1,200.00
Fixtures for RAS BCM	\$475.00

Saw only	\$3,785.00
Tables and Dust Collector	\$7,575.00
Complete Computerized System w/Bar Code Scanner	\$10,375.00
Total Manual System	\$14,370.00
Manual System with RAS BCM	\$14,845.00
Total Computerized System	\$25,220.00

