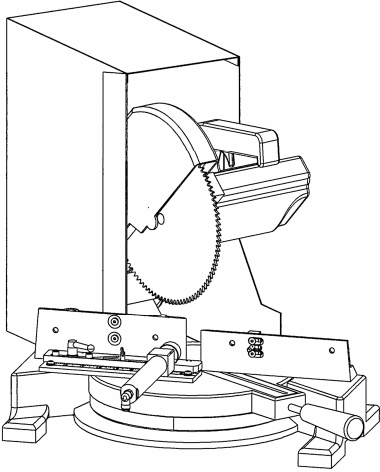




INTERNATIONAL INC.

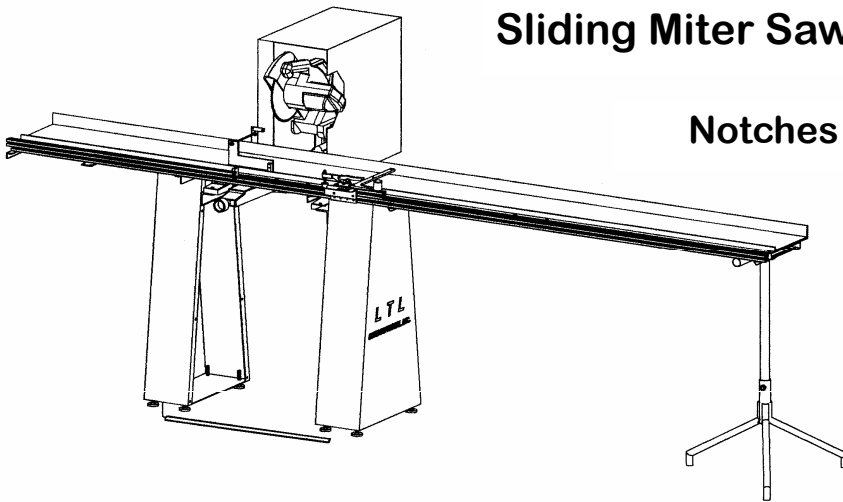
**CSAW 10"****\$1,420.00**

Up to 3 1/2" Valance

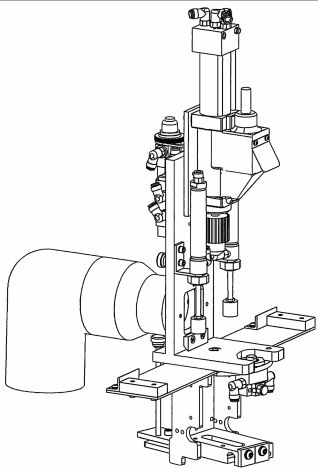
**CSAW 12"****\$1,670.00**

Up to 4 7/8" Valance

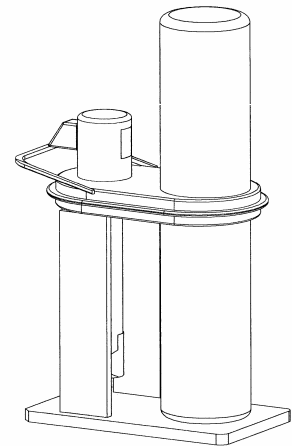
- Built-in slide adjust template for 1/2" to 4 1/2" returns
- Dust collection cabinet with 4" flange
- Foot switch activated material clamp:
  1. Produces a cleaner cut
  2. Added safety features keep the operators fingers away from the saw blade
- Operator does not need a tape measure to produce consistent and accurate valance returns
- Comes with 10" eighty tooth carbide tipped blade
- Optional dust collector: \$360.00

**Sliding Miter Saw****\$4,890.00****Notches Slats for Routless Blinds**

- Easy-adjust for 2" , 2 1/2" , and cut
- Pneumatic material clamps
- Indexing system for rout notches
- Custom dust cabinet with 4" outlet
- Powerful Milwaukee miter saw
- 10" Eighty tooth carbide blade included
- 10' Steel work table
- Optional dust collector: \$360.00

**Pneumatic Bottom Rail Drill****\$3,355.00**

- Fast-acting / powerful pneumatic drill
- Automatic dual clamp system
- One touch activation
- Drills either through or non-through holes
- Mounting base fits directly atop LTL tables
- Can be mounted as a stand-alone unit
- Flange accepts 4" dust collector hose
- Optional dust collector

Website [www.ltl-int.com](http://www.ltl-int.com)E-mail [davidw@ltl-int.com](mailto:davidw@ltl-int.com)1115 Explorer St.  
Duncanville, TX 75137Phone 972-709-7673  
800-533-3371Fax 972-709-7674  
800-985-1020