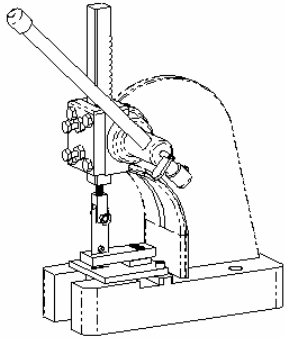


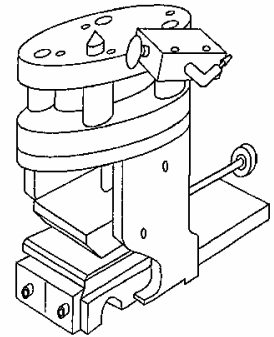


INTERNATIONAL INC.



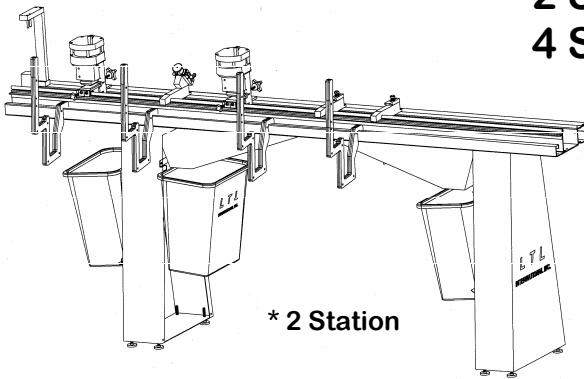
**Step 1**  
\$ 890.00

- Single punch station
- Double headed punch with die
- Punches Wood, PVC, and Composite slats



**Step 2**  
\$ 2,750.00

**Step 3**

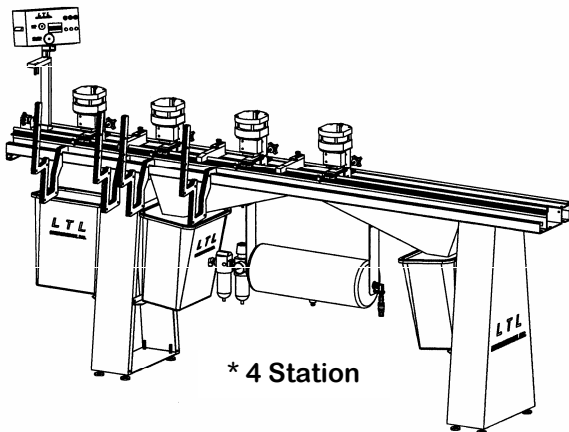


\* 2 Station

**2 Station\***      \$ 8,090.00\*  
**4 Station**        \$13,560.00

- 102" Formed steel work table
- Waste management system
- Headrail indexing system
- Easy-adjust from 2" to 2 1/2"
- Punches Wood, PVC, and Composite slats
- Easily upgraded to 4 station

**CW 22**            2 Station        \$ 10,890.00  
**CW 24\***          4 Station\*      \$ 15,300.00\*



\* 4 Station

- 102" Formed steel work table
- Control panel with punch timer and counter
- Waste management system
- Headrail indexing system
- Easy-adjust from 2" to 2 1/2"
- Additional valve included to easily add 2 more stations
- Air tank with filter/regulator and coalescing filter
- Punches Wood, PVC, and Composite slats